

54cm stainless steel electric freestanding cooker with separate electric grill, fan forced electric oven, 120 minute timer with ringer, 4 zone ceramic cooktop with dual zone.



Product Details

FEATURES

Electric fan forced oven	Handy separate grilling compartment	Easy clean formed shelf supports	2 hour mechanical timer
80L/22L capacity oven/grill	Ceramic cooktop	One dual zone element	Hot surface indicator

BENEFITS

Fan forced for even cooking
When it comes to cooking, one of the biggest is even heat distribution over your dishes. By using fan forced cooking you are able to create an even cooking result.

Grill separately for smooth entertaining
The separate grilling compartment on selected models means you can entertain guests and cook big family meals with absolute ease and without compromising on precious oven space.

Set for 2 hours and it will ring
The mechanical timer keeps track of your cooking time for 2 hours with a ringer to let you know you are ready to restart the timer or finish your dish.

Clean your shelf supports with ease
When it comes to cleaning your oven we want it to be fuss free, given the design of our shelf supports you can clean the sides of your oven with ease as there are no racks to be removed.

More versatility with variable zones
Sometimes you are cooking for two and other times it's for five, with our powerful Dual Zone functionality you are able to adjust to your chosen pot or pan size with ease.

Built in Australia
Westinghouse, has been the heart of the home for generations and the kitchen appliance brand we have always known and trusted to build reliable products. This oven is built in a local factory in Adelaide.

Specifications

PRODUCT PROFILE

Domestic warranty details (yrs)	2
---------------------------------	---

Oven fuel	electric
-----------	----------

Materials/Colour	stainless steel
------------------	-----------------

Controls of Oven	control knob
------------------	--------------

Cooling fan	No
-------------	----

Plinth colour (kickboard)	stainless steel
---------------------------	-----------------

Anti tilt plate	Yes
-----------------	-----

Front/rear controls	front
---------------------	-------

MAIN OVEN

Gross capacity litres	80
-----------------------	----

Useable capacity litres	74
-------------------------	----

Oven function	fan forced
---------------	------------

Cleaning	easy clean door
----------	-----------------

DIMENSIONS

PRODUCT DIMENSION

Total height (mm)	970
-------------------	-----

Total width (mm)	540
------------------	-----

Total depth (mm)	630
------------------	-----

SECOND OVEN OR GRILL

Gross capacity litres	22
-----------------------	----

Fold down grill element	No
-------------------------	----

Closed door grilling	No
----------------------	----

Shelf support	slides
---------------	--------

MAIN OVEN

Oven liner	enamel
Timer functions	acoustic signal
Lights	1
Light wattage	25
Light position	rear
Layers of glass in door	2
Shelf support	easy clean formed shelf supports
Number of shelves	2
Number of shelf positions	5
Closed door grilling	No
Fold down grill element	No

ELECTRICAL CONNECTION

Connected load KW	9.6
Type of connection	hardwired

SECOND OVEN OR GRILL

Number of shelf positions	1
---------------------------	---

STUFFING QUANTITIES

40ft	128
40ft HC	152

COOKTOP (IF APPLICABLE)

PRODUCT PROFILE

Cook top type	ceramic
---------------	---------

Materials/Colour	black ceramic glass
------------------	---------------------

Removable trim (for cleaning)	No
-------------------------------	----

Wok included designed to fit cooktop	No
--------------------------------------	----

Knob finish	painted silver
-------------	----------------

LEFT FRONT ZONE

Left front Watts	1000
------------------	------

RIGHT FRONT ZONE

Right front Watts	1200
-------------------	------

CONTROLS

Position of controls	front
----------------------	-------

ELEMENTS/BURNERS

Cooking zones	4
---------------	---

LEFT REAR ZONE

Left rear zone	ceramic
----------------	---------

Left rear watts	1200
-----------------	------

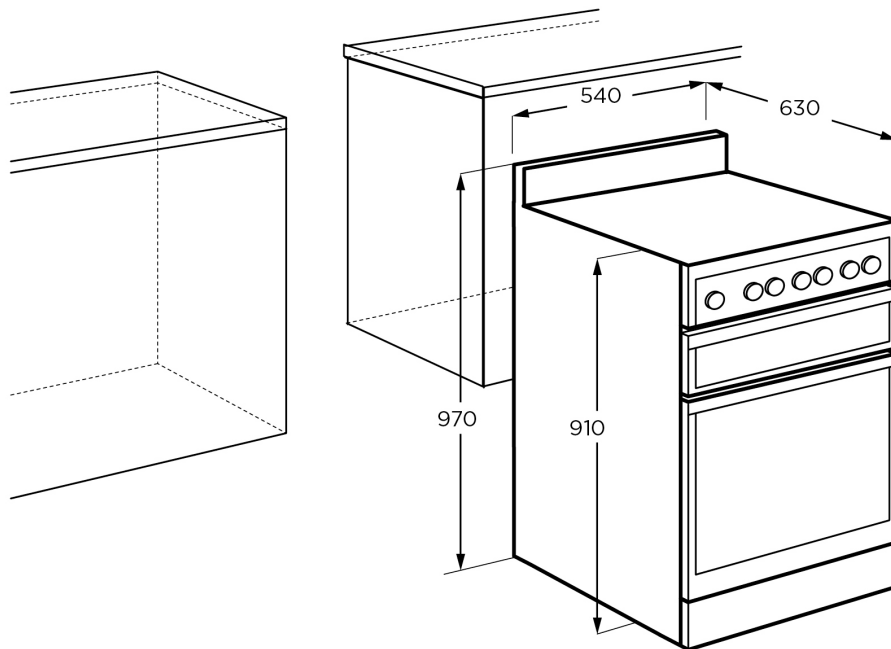
RIGHT REAR ZONE

Right rear watts	1800
------------------	------

Dimensions

54cm Front Control Freestanding Cooker, Separate Grill

WFE512SC, WFE542SC, WFE532WC



IMPORTANT

These dimensions are a guide only. All measurements are in millimetres (mm).
For complete installation instructions, refer to the manual provided with product.

Terms and Conditions

IMPORTANT

This is a guide of product dimensions only. For complete installation instructions, refer to the manual provided with product.

PRODUCT INFORMATION

The descriptors and illustrations in this publication apply to the specific products and models described as at the date of issue. Under our policy of continuous product development, product specifications may change without notice. Prospective purchasers should therefore check with their retailer to ensure this publication correctly describes the products that are being offered for sale. All information supplied is to be used for general reference purposes only and is on the understanding that Electrolux Home Products Pty Ltd (Australia) and Electrolux (NZ) Ltd (New Zealand) will not be liable for any loss, liability or damage of whatever kind arising as a result of reliance on such information. Colours of products illustrated are as close as printing limitations allow. Electrolux will at all times comply with its obligations pursuant to law including Trade Practices (Australian Consumer Law) Act and Regulations.

WARRANTY

This warranty only applies to Appliances purchased and used in Australia or New Zealand and used in normal domestic applications and is in addition to (and does not exclude, restrict, or modify in any way) any non-excludable statutory warranties in Australia or New Zealand. All warranties are subject to the conditions set out in the warranty card accompanying the product when purchased.

ELECTROLUX HOME PRODUCTS AUSTRALIA

telephone: 1300 363 640

fax: 1800 350 067

email: customercare@electrolux.com.au

web: www.electrolux.com.au

ELECTROLUX HOME PRODUCTS NEW ZEALAND

telephone: 09 573 2230

fax: 09 573 2221

email: customercare@electrolux.co.nz

web: www.electrolux.co.nz