

25L built-in stainless steel microwave oven. 900w, 10 auto cook programs, 5 power levels, defrost option, programmable timer and child lock.



Product Details

FEATURES

Fully built in design

Auto Cook Options

Auto Defrost

Quick start

Touch & dial controls

8 programmed functions

BENEFITS

Designed to fit in

You'll be right at home with the clean and simple good looks of our microwaves. The range is designed to integrate seamlessly with the entire Westinghouse kitchen collection.

Versatile options put you in control

All our microwaves give you a range of great options to help you cook with convenience and control. Choose MultiStage cooking to cook straight from the freezer. Defrost without fuss with time and weight options based on your food selection. Or when you just want to be fed fast, the Quick Start option will get you going.

Hard wearing, stylish and easy to clean

Full fingerprint stainless steel metal fascia on the trim panel and microwave provides a hard wearing and practical look to your kitchen

Specifications

PRODUCT PROFILE

Domestic warranty details (yrs)	1
---------------------------------	---

Type of Microwave	solo
-------------------	------

Under-counter installation	Yes
----------------------------	-----

DIMENSIONS

PRODUCT

Total height (mm)	460
-------------------	-----

Total width (mm)	596
------------------	-----

Total depth (mm)	400
------------------	-----

CONTROLS

Controls	electronic push button & rotary dial
----------	--------------------------------------

Display	LED
---------	-----

PROGRAMS

PROGRAM OPTIONS

Number of Programmed functions	10
--------------------------------	----

Auto cook programs	Yes
--------------------	-----

Auto cook from frozen programs	Yes
--------------------------------	-----

INTERNAL

Internal height (mm)	206
----------------------	-----

Internal width (mm)	328
---------------------	-----

Internal depth (mm)	368
---------------------	-----

Turntable diameter (mm)	315
-------------------------	-----

TIMER

Type of timer	programmable timer
---------------	--------------------

Signals	end
---------	-----

CONTROLS

Knob finish	black
-------------	-------

Number of power levels	5
------------------------	---

EXTERIOR

Type	built in
------	----------

Fascia material/Colour	glass
------------------------	-------

Trim	Yes
------	-----

Trim material	mark resistant stainless steel
---------------	--------------------------------

DOOR

Door material (exterior)	full glass
--------------------------	------------

Door opening mechanism	push button
------------------------	-------------

Door opening	side opening
--------------	--------------

SHIPPING

Shipping Volume (m3)	0.19
----------------------	------

TIMER

Timer functions	acoustic signal,duration,time of day
-----------------	--------------------------------------

INTERIOR

Interior finish	stainless steel
-----------------	-----------------

Grill	no grill
-------	----------

Capacity (litres)	25
-------------------	----

POWER

Power Connection	10 amp plug and cord
------------------	----------------------

Microwave power watts	900
-----------------------	-----

STUFFING QUANTITIES

20ft	140
------	-----

SHIPPING

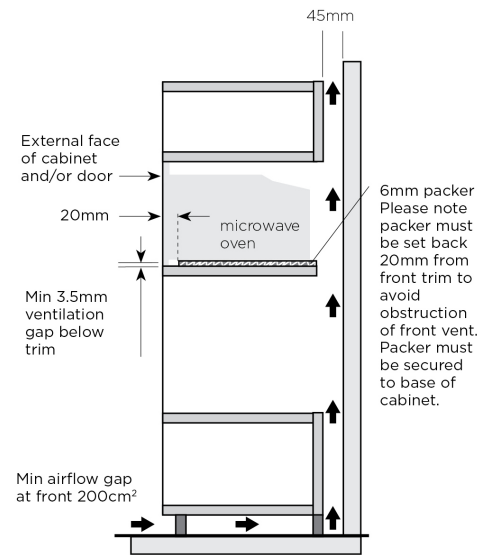
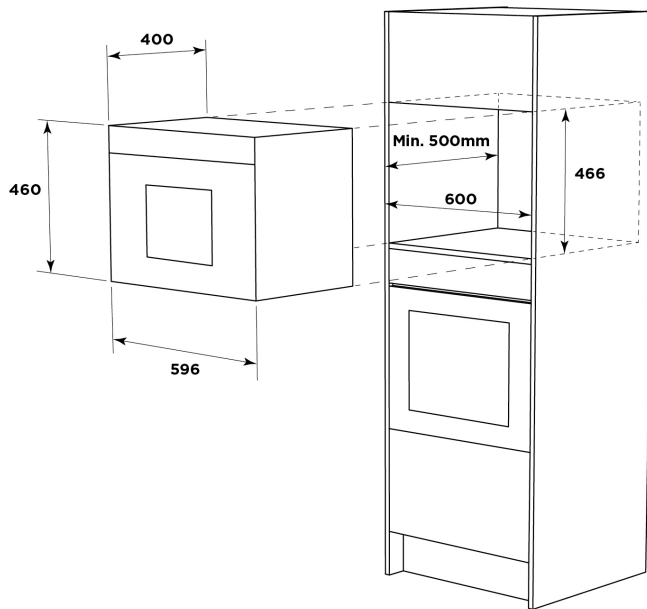
Shipping Weight (Kg)	22.48
Pack Dimensions Height (mm)	533
Pack Dimension Width (mm)	670
Pack Dimension Depth (mm)	550

STUFFING QUANTITIES

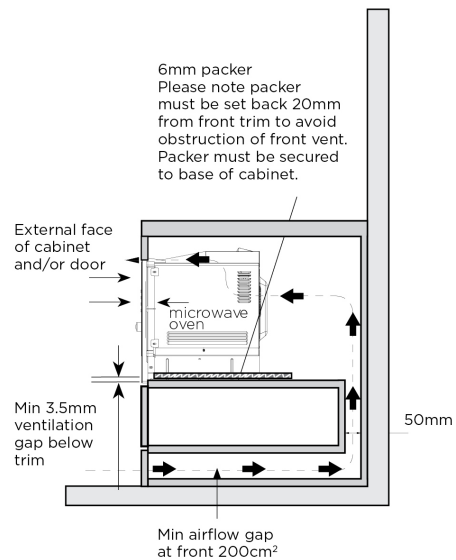
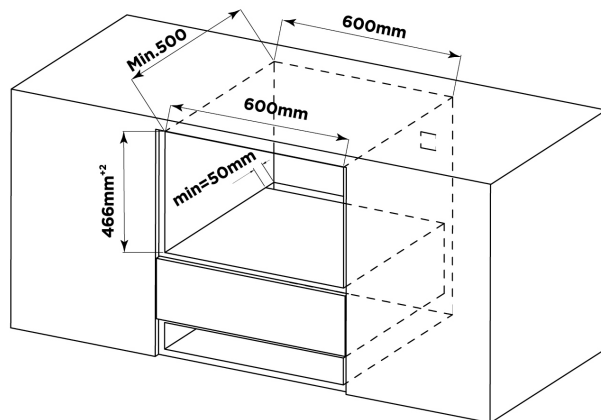
40ft	296
40ft HC	368

Dimensions

Wall Cabinet Installation



Under-bench Installation



IMPORTANT

These dimensions are a guide only. All measurements are in millimetres (mm). For complete installation instructions, refer to the manual provided with product.

Terms and Conditions

IMPORTANT

This is a guide of product dimensions only. For complete installation instructions, refer to the manual provided with product.

PRODUCT INFORMATION

The descriptors and illustrations in this publication apply to the specific products and models described as at the date of issue. Under our policy of continuous product development, product specifications may change without notice. Prospective purchasers should therefore check with their retailer to ensure this publication correctly describes the products that are being offered for sale. All information supplied is to be used for general reference purposes only and is on the understanding that Electrolux Home Products Pty Ltd (Australia) and Electrolux (NZ) Ltd (New Zealand) will not be liable for any loss, liability or damage of whatever kind arising as a result of reliance on such information. Colours of products illustrated are as close as printing limitations allow. Electrolux will at all times comply with its obligations pursuant to law including Trade Practices (Australian Consumer Law) Act and Regulations.

WARRANTY

This warranty only applies to Appliances purchased and used in Australia or New Zealand and used in normal domestic applications and is in addition to (and does not exclude, restrict, or modify in any way) any non-excludable statutory warranties in Australia or New Zealand. All warranties are subject to the conditions set out in the warranty card accompanying the product when purchased.

ELECTROLUX HOME PRODUCTS AUSTRALIA

telephone: 1300 363 640

fax: 1800 350 067

email: customercare@electrolux.com.au

web: www.electrolux.com.au

ELECTROLUX HOME PRODUCTS NEW ZEALAND

telephone: 09 573 2230

fax: 09 573 2221

email: customercare@electrolux.co.nz

web: www.electrolux.co.nz