

## **GAS COOKTOPS**

WHG644SC, WHG648SC, WHG643SC,WHG645SC,  
WHG645WC, WHG758SC,WHG954SC, WHG958SC, WHG953SC,  
WHG955SC, WHG955WC, WHG638BC, WHG958BC

# CONGRATULATIONS

Dear customer,

Congratulations and thank you for choosing our cooktop. We are sure you will find your new cooktop a pleasure to use and a great asset to your cooking. Before you use the cooktop, we recommend that you read through the whole user manual which provides the description of the cooktop and its functions.

To avoid the risks that are always present when you use a gas appliance, it is important that the cooktop is installed correctly and that you read the safety instructions carefully to avoid misuse and hazards. For future reference, please store this booklet in a safe place.

This appliance complies with the requirements of Australian Standard AS5263.1.1.

## Conditions of Use

This appliance is intended to be used in household and similar applications such as:

- Staff kitchen areas in shops, offices and other working environments
- Farm houses
- By clients in hotels, motels and other residential type environments
- Bed and breakfast type environments.

**Please ensure you read the instruction manual fully before you call for service, or a full service fee could be applicable.**

Record model and serial number here:

Model number:.....

Serial number:.....

PNC:.....

### IMPORTANT INFORMATION THAT MAY IMPACT YOUR MANUFACTURER'S WARRANTY

Adherence to the directions for use in this manual is extremely important for health and safety. Failure to strictly adhere to the requirements in this manual may result in personal injury, property damage and affect your ability to make a claim under the Westinghouse manufacturer's warranty provided with your product. Products must be used, installed and operated in accordance with this manual. You may not be able to claim on the Westinghouse manufacturer's warranty in the event that your product fault is due to failure to adhere this manual.

# CONTENTS

- Important safety instructions.....3
- Installation and use summary ..... 4
- Care and cleaning .....5
- Troubleshooting..... 6
- Technical data.....7
- Installation instructions ..... 9
- Installation procedure .....10
- Gas connection ..... 12
- Operation on NG/SNG.....12
- LPG conversion .....14
- Electrical connection.....15
- Testing appliance operation.....16
- Warranty.....19

Please read the user manual carefully and store in a handy place for later reference.

The symbols you will see in this booklet have these meanings:



## WARNING

This symbol indicates information concerning your personal safety.



## CAUTION

This symbol indicates information on how to avoid damaging the appliance.



## IMPORTANT

This symbol indicates tips and information about use of the appliance.



## ENVIRONMENT

This symbol indicates tips and information about economical and ecological use of the appliance.

# IMPORTANT SAFETY INSTRUCTIONS

Please read the user manual carefully and store in a handy place for later reference.



## IMPORTANT

Important – check for any damages or marks.

If you find the cooktop is damaged or marked, you must report it within 7 days if you wish to claim for damage/marks under the manufacturer's warranty. This does not affect your statutory rights.



## ENVIRONMENT

Information on disposal for users

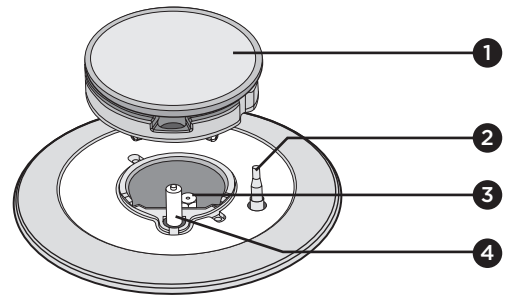
- Most of the packing materials are recyclable. Please dispose of those materials through your local recycling depot or by placing them in appropriate collection containers.
- If you wish to discard this product, please contact your local authorities and ask for the correct method of disposal.

Read the following carefully to avoid an accident or damage to your appliance.

- This appliance is not intended for use by persons (including children) with reduced physical, sensory or mental capabilities, or lack of experience and knowledge, unless they have been given supervision or instruction concerning use of the appliance by a person responsible for their safety.
- Children should be supervised to ensure that they do not play with the appliance.
- During use, this appliance becomes hot. Care should be taken to avoid touching hot surfaces. To avoid burns and scalds, young children should be kept away.
- Do not use this appliance as a space heater.
- In order to avoid a fire, the appliance must be kept clean and vents kept unobstructed.
- Do not spray aerosols in the vicinity of the appliance during operation.
- Do not use or store flammable materials in the appliance storage drawer or near this appliance.
- Do not allow pots to boil dry, as damage to both pan and cooktop may result.
- Do not operate the cooktop for an extended period of time without a pot or pan on the trivet.
- Do not allow large cookware to overhang the cooktop onto the adjacent benchtop. This will cause scorching to the benchtop surface.
- Do not allow cooking pots or pans to intrude into the area which is close to the controls.
- Ensure burner caps and trivets are properly located. (See Figure 1)
- For maximum stability, ensure pots and pans are centrally located on the trivets.

- Handles should be turned away from the front of the bench to avoid accidents.
- Do not modify this appliance.

Figure 1



- 1 Burner
- 2 Flame safeguard sensor
- 3 Injector
- 4 Ignition spark plug

## INSTALLATION

### CAUTION

You must read these warnings carefully before installing or using the cooktop. If you need assistance, contact our Customer Care Department.

The manufacturer will not accept liability, should the instructions below or any other safety instructions incorporated in this book be ignored.

### Installation

- An authorised person must install this appliance and MUST provide a certificate of compliance. This certificate should be retained along with purchase information.
- Before using the appliance, ensure that all packing materials are removed from the appliance.
- In order to avoid any potential hazard, the installation instructions in this booklet, and any labels on the appliance must be followed.
- Ensure that all specified vents, openings and air spaces are not blocked.
- Where the appliance is built into a benchtop, the benchtop material must be capable of withstanding 85°C.
- Ensure that the duplicate rating label (in the instruction pack) is attached to a readily-accessible adjacent surface, so that the cooktop can be easily identified in the case of a service call.

### Servicing

- Servicing MUST only be carried out by authorised personnel.
- To maintain safe operation, it is recommended that the product be inspected every five years by an authorised service person.
- If the supply cord is damaged, it must be replaced by an authorised service person in order to avoid a hazard.

### Cleaning

- Always ensure the appliance is turned off before cleaning.
- This appliance contains aluminium fittings. Do not use caustic-based cleaners.
- Do not use steam cleaners, as this may cause moisture build up on electrical components.
- Always clean the appliance immediately after any food spillage.

### CAUTION

DO NOT place burners in a dishwasher.

## USING YOUR COOKTOP

### Controls

- Each burner is controlled by a control knob. The markings on the control panel indicate which burner the knob controls, and the settings for that burner. (See Figure 2).

*NOTE: Gas controls turn anticlockwise from 'Off' and have limited movement.*

Figure 2 - Standard Burner

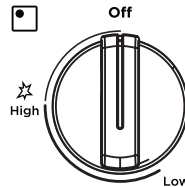
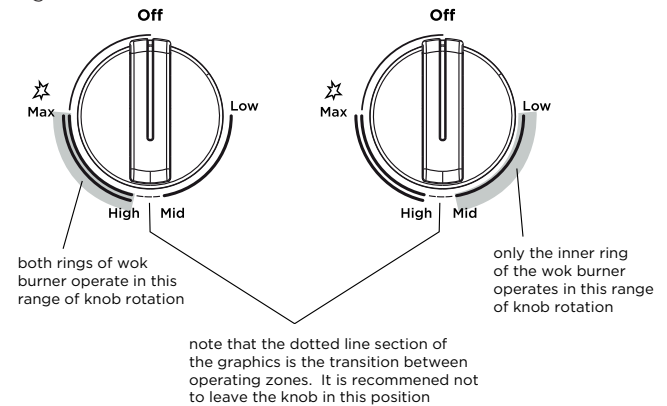




Figure 2 - Dual Burner



### Lighting burners

#### Electronic Ignition

- These cooktops are fitted with mains powered electronic ignition. When the appliance has been connected and the power is on, depressing any knob will release sparks to all burners. To light a burner, depress the corresponding knob and turn to the 'High'  position (while depressing the knob), pushing down as far as possible for approximately 5 seconds. If the flame goes out when the knob is released, simply depress the knob again, this time holding it down with slightly more force for the same length of time. The height of the flame can be varied by turning the control knob toward the 'Low'  position.

*NOTE: When the wok burner is turned to low the smaller inner ring stays lit. This is a normal function of the dual work burner to provide a very low power flame option.*

### WARNING

- Keep hands clear of burners when lighting.
- If burner does not light within 5 seconds, turn knob to 'Off' position, allow gas to disperse, then try lighting again.
- Burners MUST be operated between 'HIGH' and 'LOW' settings only.

In the absence of electrical power, carry out the ignition directly to the burner with a hand-held ignition source.

### Choice of burners

For your convenience there is a choice of burners:

- A small burner for special low heat and slow cooking.
- A medium burner for normal cooking and simmering. (one on 4-burner models and two on 5-burner models).
- A large burner for fast heating and large pots and pans.
- A wok burner for very fast heating using a wok or large pot or pan.

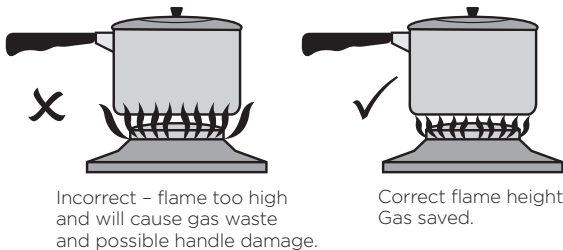
To conserve gas, place the pan centrally over the burner and adjust the flame so that it does not extend past the edge of the pan (Figure 3). Do not boil food too rapidly. A vigorous boil will not cook food any faster, and will waste energy.

### Pots and pans

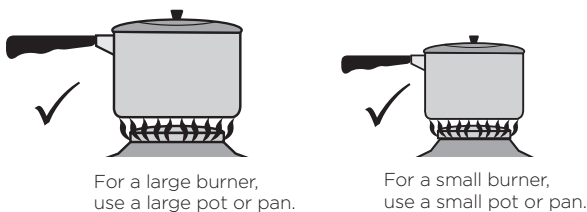
All common pots and pans: aluminium, stainless steel, cast iron, ceramic etc., may be used on your new gas model cooktop. Ensure that the pots or pans are steady and have flat bases to avoid dangerous spill-over of hot liquids and wasted energy. A wok support has been supplied with this appliance for use when cooking with a round-bottom wok. The support is not necessary when cooking with a flat-bottom wok.

Figure 3

#### Choice of flame height



#### Choice of cooking pan



### CAUTION

Never use asbestos mats, wire mats or grids, aluminium foil as it can lead to overheating, cracked enamel. The warranty will be void if these items are used and cause a failure. Woks should only be used on the wok burner and wok support trivet.

## CARE AND CLEANING



### WARNING

Ensure the appliance is off and cool before cleaning.

### Enamel

Persistent stains may require rubbing with a nylon scourer or creamed powder cleansers. Household enamel cleaners are available, follow the manufacturer's instructions in their use.



### CAUTION

Harsh abrasive cleaners, powder cleaners, steel wool or wax polishes should not be used.

### Stainless steel

*NOTE: Ensure any oil is cleaned off the hob before first use, otherwise it may cause the hob to turn a yellowish colour.*

All grades of stainless steel may stain, discolour or attain an adhering layer of grime in normal operation. To achieve maximum surface appearance, stainless steel must be kept clean by regularly using the following cleaning procedures, thus ensuring good performance and long service life. Wash with warm soapy water and rinse with clean water. Where the stainless steel has become extremely dirty with signs of surface discolouration, (due to periods of neglect or misuse) use a stainless steel cleaner.



### CAUTION

DO NOT use abrasive scourers or steel wool. When removing these stains be sure to follow the polish or brushing lines.

### Trivets and burners

The burners and trivets are removable for easy cleaning.

*NOTE: When refitting the burners, ensure that they are correctly seated.*

Ensure burners are thoroughly dried after cleaning or spillage. When cleaning the burners, ensure that all the flame ports are free of any blockage. If necessary, use a toothpick or brush to clear ports. The outer surface of the burners have a polished finish and extra care needs to be taken to avoid scratching this surface during cleaning. In instances of heavy soiling, it may be necessary to apply a non-abrasive cleaning compound and rub with a cloth until the soiling is removed and then finish with a soft, dry cloth.

*NOTE: DO NOT place burners in the dishwasher.*

### Ignition

Gently clean the spark plug and flame safe guard sensor with a damp cloth to avoid lighting difficulties. Ensure the electrode is dry before use.

### Injector

Ensure the injector remains free of any foreign material. If necessary, use a thin piece of wire to clear the orifice.

## TROUBLESHOOTING

If you have a problem with the cooktop, check the table below. You may be able to solve the problem and this will save you from paying for a service call. You will have to pay for a service call even in the warranty period if the problem is one listed below.

FAULT	POSSIBLE CAUSES	REMEDY
Burner will not light even though the sparker is working.	<ul style="list-style-type: none"> <li>• Knob not held down long enough in 'High' position for flame safeguard to engage</li> <li>• Gas supply valve turned off</li> <li>• Wrong knob turned</li> <li>• Port blockage in ignition area</li> <li>• Ignition spark plugs wet or dirty</li> </ul>	<ul style="list-style-type: none"> <li>• Repeat lighting procedure and hold knob down for 5 seconds in 'High' position (refer page 4)</li> <li>• Turn on gas supply to appliance</li> <li>• Ensure the knob you are turning corresponds to the burner you want to light</li> <li>• Ensure that ports in ignition area are clean and dry</li> <li>• Dry or clean ignition spark plugs</li> </ul>
No spark is obtained when control knob is activated	• Electricity supply is disconnected or switched off	• Switch on electricity or check fuses
	• Ignition spark plugs wet or dirty	• Dry or clean ignition spark plugs
Flames uneven or tending to lift	<ul style="list-style-type: none"> <li>• Flame ports blocked or wet</li> <li>• Burner incorrectly fitted</li> </ul>	<ul style="list-style-type: none"> <li>• Clean or dry flame ports</li> <li>• Ensure this component is fitted correctly</li> </ul>
Flames not staying on when knob released	• Knob not held down long enough in 'High' position for flame safeguard to engage	• Repeat lighting procedure and hold knob down for 5 seconds in 'High' position (refer page 4)
	• Knob not set between 'High' and 'Low'	• Knob MUST be set between these positions
	• Dirt or spillage on flame safeguard sensor	• Clean flame safe guard sensor tip
Low heat, slow cooking	• Incorrect cooking pot or pan being used	• Refer to Figure 3 (page 5)
Benchtop or knobs overheating	• Incorrect cooking pot or pan used	• Check Figure 3 for correct pot or pan to be used
	• Pot or pan not located on burner properly	• Ensure pot or pan is centrally located on burner
Cooktop stainless steel discoloured	• Pot or pan being used is too large	• Ensure pot sizes used are as per user manual requirements. Clean with STEEL POWER (available through spare parts)
Outer ring of wok burner goes out when set to low	• This is not a failure. This is a function of the dual wok burner to give a very low power flame option	• Burner is functioning as intended

If the above points have been checked and there is still a problem with the cooktop, please call the Service Centre.

## TECHNICAL DATA

FEATURES	WHG644SC	WHG648SC	WHG643SC	WHG645SC	WHG645WC
Cooking zones	4	4	4	4	4
Wok	Yes	Yes	Yes	Yes	Yes
Ignition	220-240V	220-240V	220-240V	220-240V	220-240V
Trivet	Cast	Cast	Wire	Cast	Cast
Hob material	Stainless steel	Stainless steel	Stainless steel	Stainless steel	Enamelled White
Features	Ignition through knob	Ignition through knob	Ignition through knob	Ignition through knob	Ignition through knob
Flame safeguard	Yes	Yes	Yes	Yes	Yes
Colours	Stainless steel	Stainless steel	Stainless steel	Stainless steel	Enamelled White
Gas Types	NG, (LP conversion kit supplied)	NG, (LP conversion kit supplied)	NG, (LP conversion kit supplied)	NG, (LP conversion kit supplied)	NG, (LP conversion kit supplied)
Cooktop dimension (mm)					
Width	595	595	595	595	595
Depth	530	530	530	530	530
Height*	50	50	50	50	50
Cutout dimension (mm)					
Width	560	560	560	560	560
Depth	490	490	490	490	490
Energy rating (NG) - MJ/h					
Small burner	5.1	5.1	5.1	5.1	5.1
Medium burner	9.0	9.0	9.0	9.0	9.0
Large burner	12.1	12.1	12.1	12.1	12.1
Wok burner	14.4	17.0	14.4	14.4	14.4
Total MJ/h	40.6	43.2	40.6	40.6	40.6

\*Height is distance from the top of the kitchen bench to the bottom of the cooktop

## TECHNICAL DATA (CONTINUED)

FEATURES	WHG758SC	WHG954SC	WHG958SC	WHG953SC
Cooking zones	5	5	5	5
Wok	Yes	Yes	Yes	Yes
Ignition	220-240V	220-240V	220-240V	220-240V
Trivet	Cast	Cast	Cast	Wire
Hob material	Stainless steel	Stainless steel	Stainless steel	Stainless steel
Features	Ignition through knob	Ignition through knob	Ignition through knob	Ignition through knob
Flame safeguard	Yes	Yes	Yes	Yes
Colours	Stainless steel	Stainless steel	Stainless steel	Stainless steel
Gas Types	NG, (LP conversion kit supplied)	NG, (LP conversion kit supplied)	NG, (LP conversion kit supplied)	NG, (LP conversion kit supplied)
Cooktop dimension (mm)				
Width	745	895	895	895
Depth	530	530	530	530
Height*	50	50	50	50
Cutout dimension (mm)				
Width	710	860	860	860
Depth	490	490	490	490
Energy rating (NG) - MJ/h				
Small burner	5.1	5.1	5.1	5.1
Medium burner	9x2	9x2	9x2	9x2
Large burner	12.1	12.1	12.1	12.1
Wok burner	19.0	14.4	19.0	14.4
Total MJ/h	54.2	49.6	54.2	49.6

\*Height is distance from the top of the kitchen bench to the bottom of the cooktop



## TECHNICAL DATA (CONTINUED)

FEATURES	WHG955SC	WHG955WC	WHG638BC	WHG958BC
Cooking zones	5	5	3	5
Wok	Yes	Yes	Yes	Yes
Ignition	220-240V	220-240V	220-240V	220-240V
Trivet	Cast	Cast	Cast	Cast
Hob material	Stainless steel	Enamelled White	Tempered Glass	Tempered Glass
Features	Ignition through knob	Ignition through knob	Ignition through knob	Ignition through knob
Flame safeguard	Yes	Yes	Yes	Yes
Colours	Stainless steel	Enamelled White	Black	Black
Gas Types	NG, (LP conversion kit supplied)	NG, (LP conversion kit supplied)	NG, (LP conversion kit supplied)	NG, (LP conversion kit supplied)
Cooktop dimension (mm)				
Width	895	895	600	900
Depth	530	530	530	530
Height*	50	50	50	50
Cutout dimension (mm)				
Width	860	860	560	860
Depth	490	490	490	490
Energy rating (NG) - MJ/h				
Small burner	5.1	5.1	5.1	5.1
Medium burner	9x2	9x2	NA	9x2
Large burner	12.1	12.1	12.1	12.1
Wok burner	14.4	14.4	19.0	19.0
Total MJ/h	49.6	49.6	36.2	54.2

\*Height is distance from the top of the kitchen bench to the bottom of the cooktop

# INSTALLATION INSTRUCTIONS

This appliance must be installed by an authorised person and in compliance with:

1. AS/NZS 5601.1 Gas Installations Part 1: General Installations, and AS/NZS 5601.2 Gas Installations Part 2: LP Gas installations in caravans and boats for non-propulsive purposes, or the relevant installation code for gas appliances in your country.
2. The local gas fitting regulations, municipal building codes, electrical wiring regulations and any other relevant statutory regulations.
3. The particular instructions as given below.

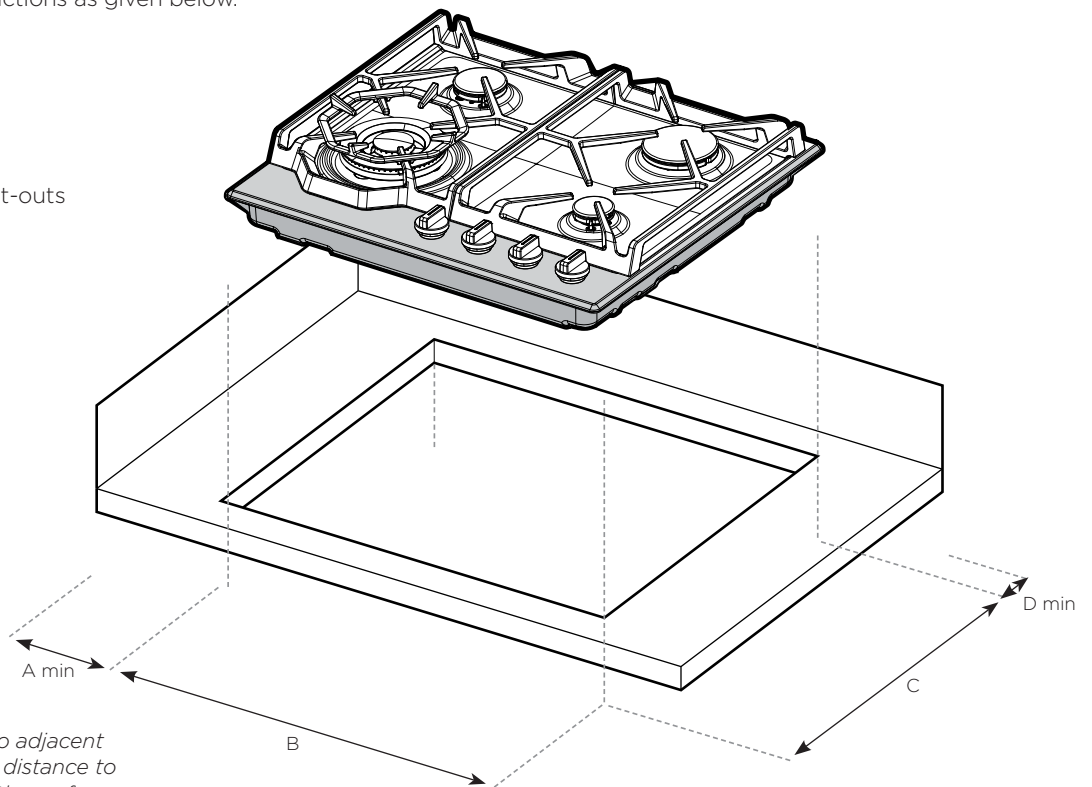


## CAUTION

Cooktops are supplied for use with natural gas (NG). To use with LPG the injectors **MUST** be changed using the conversion kit supplied. Refer LP Conversion on page 12 and 13.

4. A certificate of compliance **MUST** be given to the customer after the appliance is successfully installed.
5. This appliance must be earthed.

Figure 4 - Installation cut-outs



*NOTE: Distances shown to adjacent walls/surfaces are for the distance to a combustible surface. If the surface is not combustible the measurement can be smaller than that shown.*

MODEL CODE	DIMENSION (MM)				GAS SUPPLY LOCATION (LEFT OR RIGHT)
	A	B	C	D	
WHG644SC	144	560	490	145	Left
WHG648SC	152	560	490	145	Left
WHG643SC	144	560	490	145	Left
WHG645SC	144	560	490	145	Left
WHG645WC	144	560	490	145	Left
WHG758SC	126	710	490	145	Left
WHG954SC	132	860	490	145	Left
WHG958SC	140	860	490	145	Left
WHG953SC	132	860	490	145	Left
WHG955SC	132	860	490	145	Left
WHG955WC	132	860	490	145	Left
WHG638BC	153	560	490	145	Left
WHG958BC	137	860	490	145	Left

## INSTALLATION PROCEDURE

1. The bench cutout should be made as per cutout dimensions in Figure 4.
2. Adjacent walls, cupboards and protection for combustible materials.

Ensure that the appliance is installed in accordance with AS/NZS 5601.1, or AS/NZS 5601.2 with regard to clearances to combustible surfaces and materials, and clearances to rangehoods and exhaust fans.

To ensure clearances of 200mm from burners to vertical combustible surfaces observe the minimum dimensions shown in Figure 5.

Rangehoods and exhaust fans shall be installed in accordance with the manufacturer's relevant instructions. However, in no case shall the clearance between the highest part of the hob of the gas cooking appliance and a range hood be less than 600mm or, for an overhead exhaust fan, 750mm.

Clearances to combustible surfaces may be reduced if combustible surfaces are protected in accordance with AS/NZS 5601.1, or AS/NZS 5601.2.

3. **Optional Barrier**  
A barrier can be installed to prevent accidental contact with the cooktop base, where the base of the cooktop is accessible from below (i.e. inside a cupboard, etc). An impression has been incorporated into the base to ensure a minimum clearance of 15mm is maintained between the base and the barrier. This barrier may be made of any non-combustible, rigid material.

Note: An alternative to the above is to purchase a barrier shield from Electrolux spare parts (P/No. ACC 072) which can be fitted directly to the underside of the product. This shield protects the user from accidentally touching certain areas of the product.

Barrier protection is not necessary if the product is installed above an underbench oven or similar appliance and/or if the cupboard construction is such that the underside of the cooktop is not accessible.

4. MASTIC TAPE has been provided and is to be placed around the bench cutout as specified in Figure 6. Take care to ensure that the seals meet without overlapping.
5. Fit the pull down clamps supplied to ensure that the cooktop cannot move after installation.
6. Remove any excess seal visible after installation.

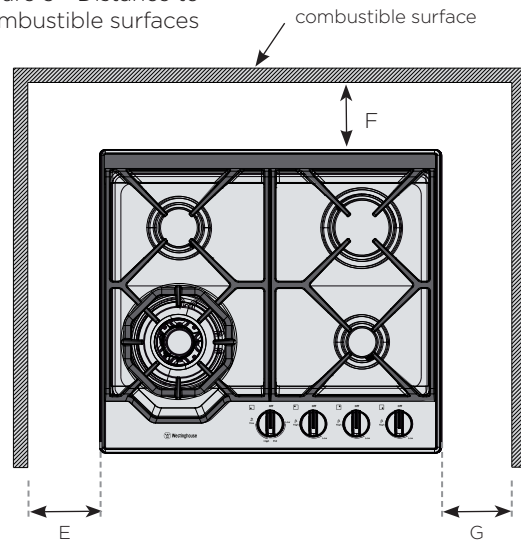
- Place the seals supplied around the bench cut-out as shown in Figure 6, taking care that the seals meet without overlapping.
- Fit the pull-down clamps supplied to ensure that the cooktop cannot move after installation.

### **WARNING**

Failure to fix the cooktop to the bench could result in loosening of the gas connection through movement of the cooktop and a gas leak may result.

- Use the 4 clamps and screws supplied in the parts bag for 4 burner models, and 6 clamps and screws for 5 burner models.
- To assemble, attach the clamps to each corner of the burner box via the screws provided.
- Fix the clamps as shown in Figure 7.
- Remove excess seal.
- If the benchtop is less than the standard 33mm thickness, use a packer between the bench and the pull down clamps to ensure the cooktop is properly secured.

Figure 5 - Distance to Combustible surfaces



*NOTE: Distances shown to adjacent walls/surfaces are for the distance to a combustible surface. If the surface is not combustible the measurement can be smaller than that shown.*

MODEL CODE	DIMENSION(MM)		
	E	F	G
WHG644SC	126	115	114
WHG648SC	134	115	114
WHG643SC	126	115	114
WHG645SC	126	115	114
WHG645WC	126	115	114
WHG758SC	108	115	126
WHG954SC	115	115	102
WHG958SC	122	115	102
WHG953SC	115	115	102
WHG955SC	115	115	102
WHG955WC	115	115	102
WHG638BC	121	115	111
WHG958BC	120	115	99

Figure 6a - Mastic seal position (WHG644SA & WHG646SB)

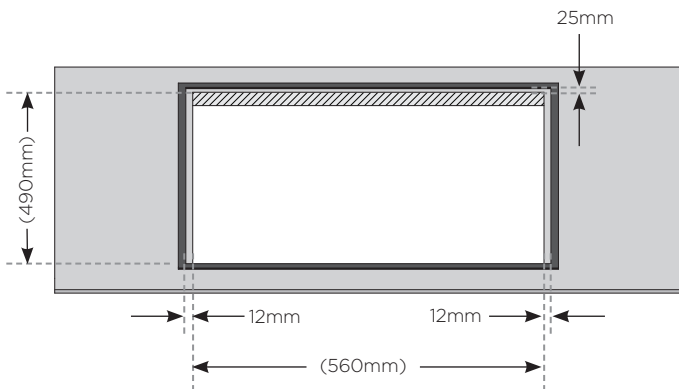


Figure 6b - Mastic seal position (WHG756SC)

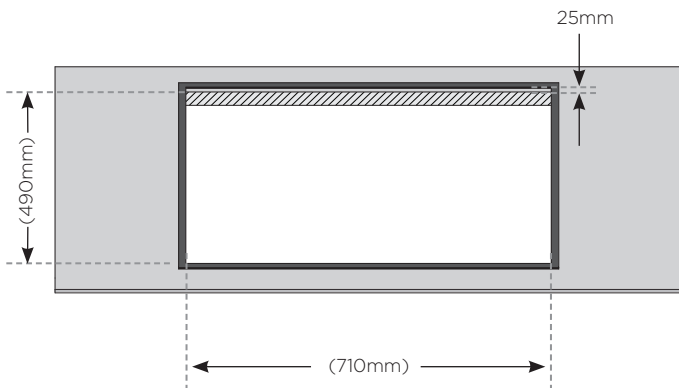


Figure 6c - Mastic seal position (WHG954SC WHG958SC WHG953SC WHG955SC WHG955WC)

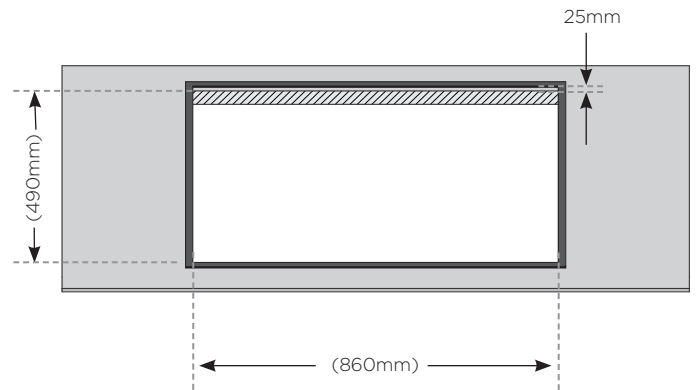
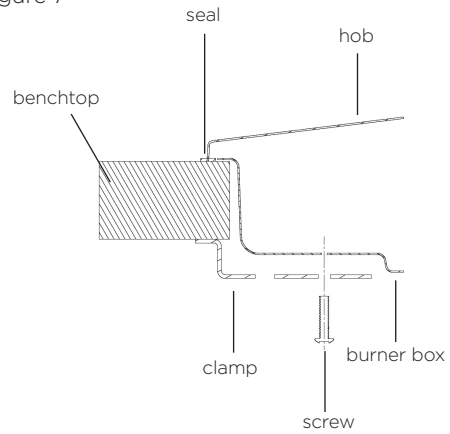


Figure 7



## GAS CONNECTION



### CAUTION

This appliance is supplied for use with Natural Gas. However, it can be converted for use with LPG. Refer to LP conversion on pages 12 and 13.

### Supply pipe sizing

The total hourly gas consumption for the appliance is shown on the data label. The required supply pressure (i.e. at inlet to appliance regulator) for each gas type is shown on the data label, and given in Technical Data table. Use this information in conjunction with the length of run, number of elbows, tees and bends, the available service pressure and the supply requirements of other installed appliances to determine a suitable pipe size. For assistance in this matter refer to the appropriate section of AS/NZS 5601.1 or AS/NZS 5601.2.

An AGA certified class B or D flexible connection may be used to connect the cooktop in accordance with AS/NZS 5601.1, in particular section 5.9 and clause 6.10.1.8, or AS/NZS 5601.2, in particular section 2.11. Where a hose assembly is used and the cooktop is in the installed position, the hose assembly shall be suitable for connection to a fixed consumer piping outlet located at a point 800 – 850mm above the floor and in the region outside the width of the appliance to a distance of 250mm. The point of connection to consumer piping must be accessible with appliance installed.

### Elbow positioning

It is possible to reposition the elbow if required by loosening the locking nut and elbow by using two spanners. Re-tighten the entire assembly after the elbow has been repositioned. When fitting elbow to appliance, ensure that the sealing washer is fitted.

## OPERATION ON N.G./S.N.G.

### Regulator

An appliance regulator is provided. The regulator must be positioned so that the pressure test nipple is accessible when the appliance is installed. Connect the gas supply to the 1/2" B.S.P. internal thread inlet of the regulator. Refer to 'bench cutout' (Figure 4) for connection point position.

### Assembly of Regulator

The assembly of the regulator to the cooktop manifold is achieved via the elbow union and sealing washer supplied, refer to figure 9 (page 11).

The 1/2" parallel thread connects to the manifold, and the sealing washer is placed between the manifold end and the flat face on the elbow.

The 1/2" tapered thread connects to the outlet of the regulator, and is sealed on the thread using approved thread sealing tape or approved thread sealing compound.

The inlet of the regulator is a 1/2" parallel thread and is connected to consumer piping or hose assembly.

Regulators are supplied pre-adjusted and configured by the component maker for use with Natural Gas. The appliance installer is not required to make an adjustment to obtain the correct outlet pressure setting.

An arrow on the base of the regulator indicates the direction of gas flow when the inlet and outlet of the regulator is orientated correctly. When the regulator has been fitted check for leaks from the connections with soapy water.

### Checking the gas supply

1. Check the manometer zero point is correct.
2. Connect the manometer to the cooktop pressure point. This is located on the regulator.
3. Turn on the gas supply and electricity and try to ignite the gas.



### IMPORTANT

It will take additional time to light the gas for the first time as air needs to be purged from the pipes.

4. With the appliance operating check the outlet pressure:
  - when all burners of the appliance are operating at maximum,
  - when the smallest burner of the appliance is operating at minimum.

Under these conditions the outlet pressure should not vary from the nominal outlet pressure of 1.00kPa by more than +/-0.20kPa.

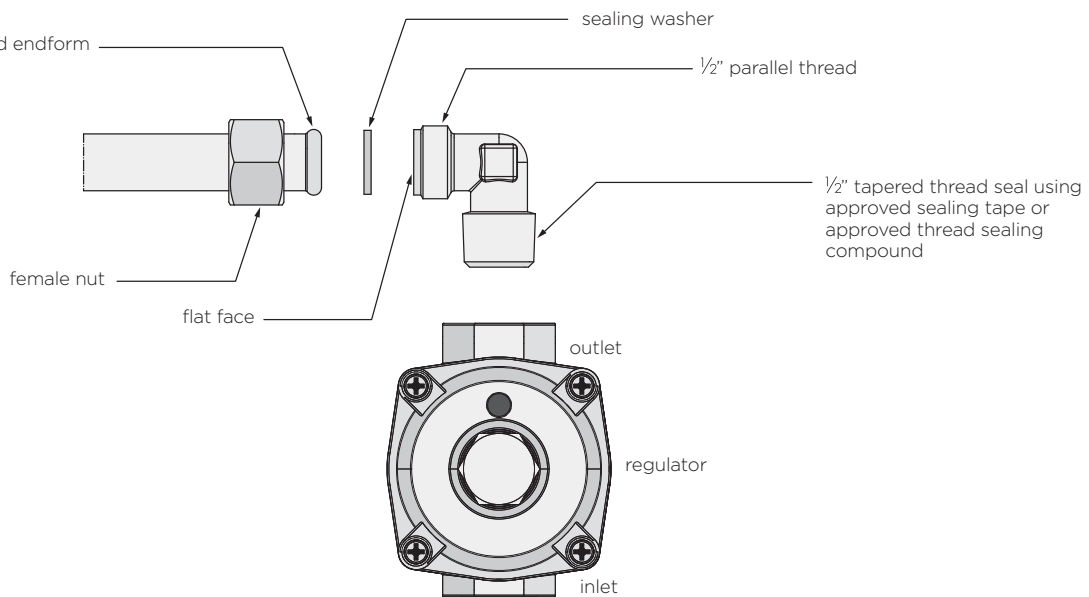
If the regulator appears to not be performing satisfactorily, then check the following points.

1. If the outlet pressure is consistently too low then the inlet pressure may be too low and adjustment of an upstream regulator may be needed, or an upstream regulator or valve with insufficient flow capacity may be present in the gas supply line. If this is suspected then it may be necessary to repeat the checks whilst measuring both the inlet and outlet pressure to determine if the inlet pressure is in the range 1.13 – 5kPa.

2. Check that the regulator has been fitted to the gas supply line in the correct orientation, the arrow on the base of the body indicates the direction of gas flow.

Once these checks have been completed, if the regulator still fails to perform in a satisfactory manner it should be replaced.

Figure 9



BURNER TYPE	NATURAL GAS (NOMINAL TEST POINT PRESSURE: 1.00KPA)		LPG (NOMINAL TEST POINT PRESSURE: 2.60KPA)	
	INJECTOR SIZE (MM)	GAS CONSUMPTION (MJ/H)	INJECTOR SIZE (MM)	GAS CONSUMPTION (MJ/H)
Small burner	1.00	5.1	0.55	4.0
Medium burner	1.35	9.0	0.70	6.5
Large burner	1.60	12.1	0.90	10.7
Wok burner	1.75	14.4	1.00	13.0
Dual Wok burner	0.96 x 4	17.0	0.52 x 1 + 0.58 x 3	17.0
Dual Wok burner	0.96 + 1.07 x 3	19.0	0.52 x 1 + 0.58 x 3	17.0

# LPG CONVERSION

This appliance is supplied set up for Natural Gas usage. A conversion kit is included with the product for Universal LPG usage. The conversion kit contains the appropriate injectors and 1 LPG sticker.

Please follow the procedure below if a conversion to suit UNIVERSAL LPG is required:

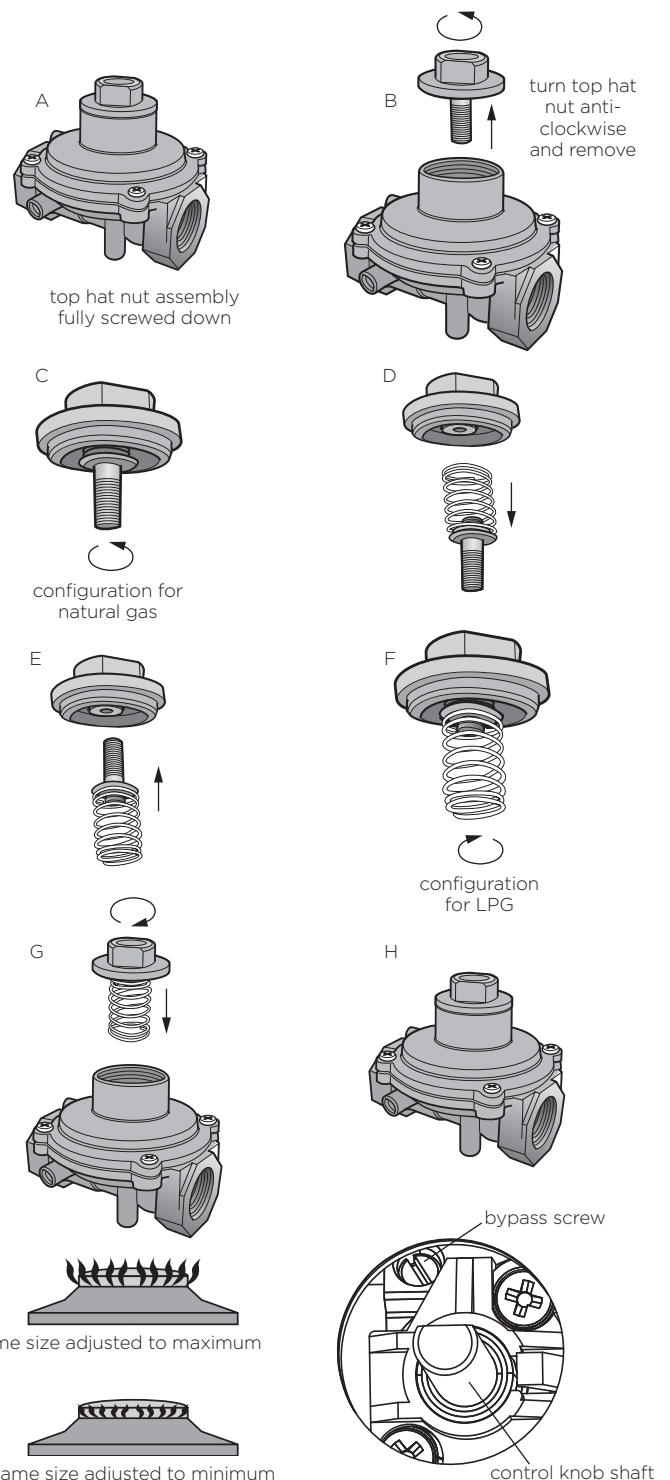
1. Remove the hotplate trivets, burner caps and burner crowns to access the hotplate injectors. Replace the factory fitted injectors with the appropriate injectors, as supplied. Refer to injector orifice table for injector sizes. The injector size is stamped on the side of the injector.
2. Unscrew the top hat nut from the regulator. The top hat nut and control pressure spring assembly will disengage as an assembly.
3. Unscrew the threaded pin from top hat.
4. Upturn threaded pin, so spring is free and screw pin back into the top hat until firm.
5. Refit the top hat nut assembly to the regulator ensuring that it is fully screwed down. The regulator is now set for connection to LPG.
6. Turn on the gas supply and at each new connection check for leaks using soapy water. Each hotplate valve should be turned on, one at a time, and the injector hole blanked off for several seconds.
7. The operation of the regulator can be confirmed by connecting a manometer to the pressure test point located on the side of the regulator body adjacent to the outlet. With the appliance operating check the outlet pressure:
  - when all burners of the appliance are operating at maximum,
  - when the smallest burner of the appliance is operating at minimum.

Under these conditions the outlet pressure should not vary from the nominal outlet pressure of 2.60kPa by more than  $\pm 0.52$ kPa.

8. If the regulator appears to not be performing satisfactorily then check the following points:
  - If the outlet pressure is consistently too low then the inlet pressure may be too low and adjustment of an upstream regulator may be needed, or an upstream regulator or valve with insufficient flow capacity may be present in the gas supply line.
  - If this is suspected then it may be necessary to repeat the checks whilst measuring both the inlet and outlet pressure to determine if the inlet pressure is in the range 2.75 - 7.00kPa.
  - Check that the insert has been fitted correctly.
  - Check that the turret screw is fully screwed down.
  - Check that the regulator has been fitted to the gas supply line in the correct orientation, the arrow on the base of the body indicates the direction of gas flow.

Once these checks have been completed, if the regulator still fails to perform in a satisfactory manner it should be replaced.

9. One by one, turn the knobs to minimum and screw in the bypass screw (accessible when the knob is removed) until a small stable flame results. Turn the knob to maximum and then back to minimum to ensure that the correct minimum flame is maintained.
10. Attach the LPG sticker to the cooker, near the gas supply inlet. Cover the Natural Gas label that is factory fitted.



## ELECTRICAL CONNECTION (220-240 VOLTS)

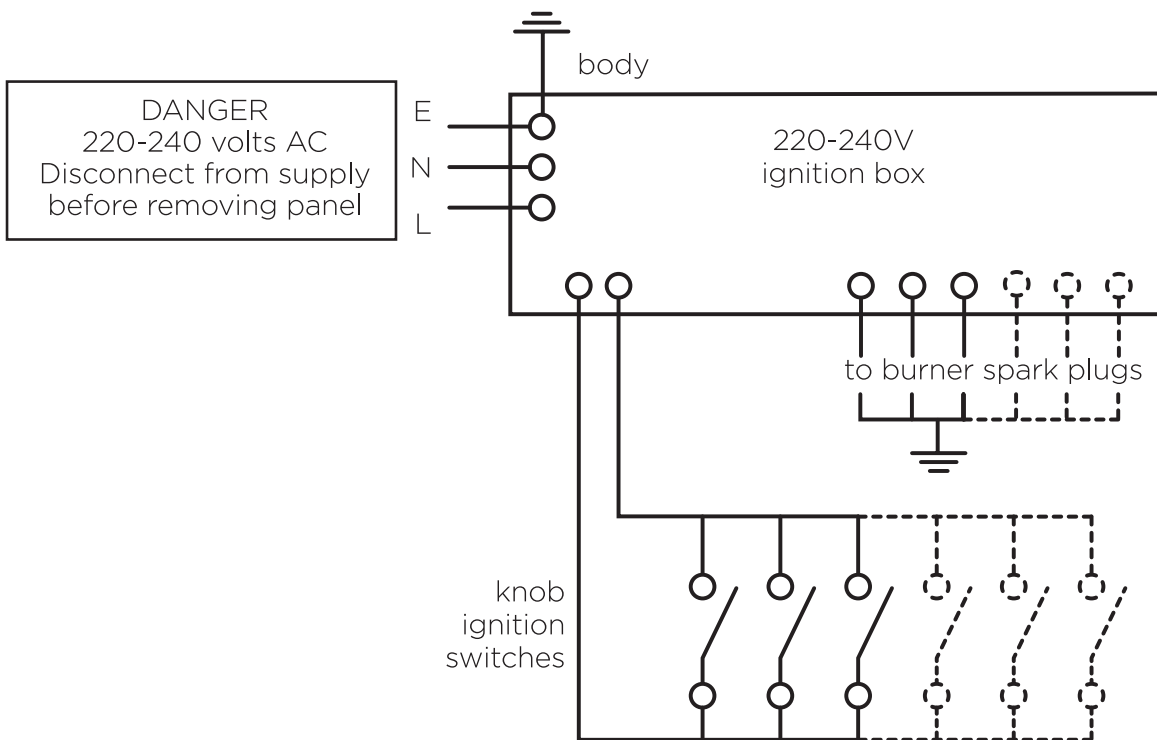
The appliance is supplied with a standard 7.5Amp service cord terminated by a 3-pin plug for connection to a standard household socket. The electrical supply is required to power the electronic ignition system.

*NOTE: It will be necessary for servicing purposes to disconnect the electrical power supply. The power point should therefore be accessible after the appliance is installed, as specified in the local wiring regulations.*

Figure 10 is a schematic of the wiring in the appliance.

The weight of the unit is printed on the appliance packaging label.

Figure 10



### Use of Hose Assemblies

Ensure that the hose assembly is restrained from accidental contact with the flue outlet of an underbench oven or any other hot surface of an adjacent appliance.

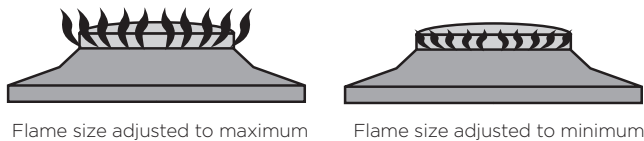


## TESTING APPLIANCE OPERATION

After installation, test the appliance and ensure that it operates correctly before handing it over to the customer. The following procedure is recommended:

1. Turn on the gas and electricity supply and attempt ignition on all burners, both separately and in combination. (For correct procedure, refer to page 4). Note that additional time needs to be allowed for the initial lighting as air has to be purged from the pipes.
2. Observe the flame appearance on each burner. (Figure 12) If it is much larger or much smaller than expected, the injector size and supply pressure require checking. Where a flame is unsatisfactory, refer to the Troubleshooting Guide (Page 6) to correct the fault. If the Troubleshooting Guide does not solve the problem, call the Service Centre.

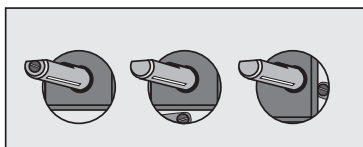
Figure 12



3. Once all the previous tests are satisfactory, check the turndown (minimum or low) setting on each burner, as this may need adjustment. Valves have a by pass controlling screw, which may be accessed by removing the knob. This screw will be located on a particular area of the valve. (Refer Figure 13). Normally, this will have been correctly set at the factory for use on NG (Natural Gas) and should not require adjustment.

If the appliance has been converted to LPG, then the bypass screw will have to be screwed in until a small, stable flame results.

Figure 13



Bypass screw

Please ensure the supply pressure has been checked PRIOR to any adjustment.

4. If the appliance cannot be adjusted to perform safely, inform the customer of the problem and affix an appropriate warning notice to the appliance. If the fault appears to be dangerous the appliance should be disconnected. If a minor fault exists, the customer may wish to use the appliance while awaiting service.

If a fault cannot be fixed, please call the Service Centre.

5. The customer should be advised that, in the event of a fault, the local Service Organisation or the retailer from whom the appliance was purchased should be contacted.

6. When satisfied that the unit is operating correctly, turn off and instruct the customer on correct operation as outlined in this booklet. Ask the customer to operate the controls to ensure that the correct procedure is understood.



### WARNING

Servicing must only be carried out by an authorised service person.

Injector sizes required for various gas types are shown in the Technical Data Table (page 11). The appliance inlet pressure for each gas type is also shown.

For model identification after installation, an additional data plate sticker has been provided. This sticker is to be stuck onto adjacent cabinetry.



**This document sets out the terms and conditions of the product warranties for Westinghouse Appliances. It is an important document. Please keep it with your proof of purchase documents in a safe place for future reference should there be a manufacturing defect in your Appliance. This warranty is in addition to other rights you may have under the Australian Consumer Law.**

**1. In this warranty:**

- (a) 'ACL' or 'Australian Consumer Law' means Schedule 2 to the Competition and Consumer Act 2010;
- (b) 'Appliance' means any Electrolux product purchased by you and accompanied by this document;
- (c) 'ASC' means Electrolux's authorised serviced centres;
- (d) 'Westinghouse' is the brand controlled by Electrolux Home Products Pty Ltd of 163 O'Riordan Street, Mascot NSW 2020, ABN 51 004 762 341 in respect of Appliances purchased in Australia and Electrolux (NZ) Limited (collectively "Electrolux") of 3-5 Niall Burgess Road, Mount Wellington, in respect of Appliances purchased in New Zealand;
- (e) 'Warranty Period' means the period specified in clause 3 of this warranty;
- (f) 'you' means the purchaser of the Appliance not having purchased the Appliance for re-sale, and 'your' has a corresponding meaning.

**2. Application:** This warranty only applies to new Appliances, purchased and used in Australia or New Zealand and is in addition to (and does not exclude, restrict, or modify in any way) other rights and remedies under a law to which the Appliances or services relate, including any non-excludable statutory guarantees in Australia and New Zealand.

**3. Warranty Period:** Subject to these terms and conditions, this warranty continues in Australia for a period of 24 months and in New Zealand for a period of 24 months, following the date of original purchase of the Appliance.

**4. Repair or replace warranty:** During the Warranty Period, Electrolux or its ASC will, at no extra charge if your Appliance is readily accessible for service, without special equipment and subject to these terms and conditions, repair or replace any parts which it considers to be defective. Electrolux may, in its absolute discretion, choose whether the remedy offered for a valid warranty claim is repair or replacement. Electrolux or its ASC may use refurbished parts to repair your Appliance. You agree that any replaced Appliances or parts become the property of Electrolux.

**5. Travel and transportation costs:** Subject to clause 7, Electrolux will bear the reasonable cost of transportation, travel and delivery of the Appliance to and from Electrolux or its ASC. Travel and transportation will be arranged by Electrolux as part of any valid warranty claim.

**6. Proof of purchase** is required before you can make a claim under this warranty.

**7. Exclusions:** You may not make a claim under this warranty unless the defect claimed is due to faulty or defective parts or workmanship. This warranty does not cover:

- (a) light globes, batteries, filters or similar perishable parts;
- (b) parts and Appliances not supplied by Electrolux;
- (c) cosmetic damage which does not affect the operation of the Appliance;

- (d) damage to the Appliance caused by:
  - (i) negligence or accident;
  - (ii) misuse or abuse, including failure to properly maintain or service;
  - (iii) improper, negligent or faulty servicing or repair works done by anyone other than an Electrolux authorised repairer or ASC;
  - (iv) normal wear and tear;
  - (v) power surges, electrical storm damage or incorrect power supply;
  - (vi) incomplete or improper installation;
  - (vii) incorrect, improper or inappropriate operation;
  - (viii) insect or vermin infestation;
  - (ix) failure to comply with any additional instructions supplied with the Appliance;

In addition, Electrolux is not liable under this warranty if:

- (a) the Appliance has been, or Electrolux reasonably believes that the Appliance has been, used for purposes other than those for which the Appliance was intended, including where the Appliance has been used for any non-domestic purpose;
- (b) the Appliance is modified without authority from Electrolux in writing;
- (c) the Appliance's serial number or warranty seal has been removed or defaced

**8. How to claim under this warranty:** To enquire about claiming under this warranty, please follow these steps:

- (a) carefully check the operating instructions, user manual and the terms of this warranty;
- (b) have the model and serial number of the Appliance available;
- (c) have the proof of purchase (e.g. an invoice) available;
- (d) telephone the numbers shown below.

**9. Australia:** For Appliances and services provided by Electrolux in Australia: Electrolux goods come with guarantees that cannot be excluded under the Australian Consumer Law. You are entitled to a replacement or refund for a major failure and for compensation for any other reasonably foreseeable loss or damage. You are also entitled to have the Appliance repaired or replaced if the Appliance fails to be of acceptable quality and the failure does not amount to a major failure. 'Acceptable quality' and 'major failure' have the same meaning as referred to in the ACL.

**10. New Zealand:** For Appliances and services provided by Electrolux in New Zealand, the Appliances come with a guarantee by Electrolux pursuant to the provisions of the Consumer Guarantees Act, the Sale of Goods Act and the Fair Trading Act. Where the Appliance was purchased in New Zealand for commercial purposes the Consumer Guarantee Act does not apply.

**11. Confidentiality:** You accept that if you make a warranty claim, Electrolux and its agents including ASC may exchange information in relation to you to enable Electrolux to meet its obligations under this warranty.

**Important Notice**

Before calling for service, please ensure that the steps listed in clause 8 above have been followed.

<b>AUSTRALIA</b>	<b>FOR SERVICE</b> or to find the address of your nearest authorised service centre in Australia <b>PLEASE CALL 13 13 49</b> <small>For the cost of a local call</small>	<b>FOR SPARE PARTS</b> or to find the address of your nearest spare parts centre in Australia <b>PLEASE CALL 13 13 50</b> <small>For the cost of a local call</small>
<b>NEW ZEALAND</b>	<b>FOR SERVICE</b> or to find the address of your nearest authorised service centre in New Zealand <b>PLEASE CALL 0800 10 66 10</b>	<b>FOR SPARE PARTS</b> or to find the address of your nearest spare parts centre in New Zealand <b>PLEASE CALL 0800 10 66 20</b>

**For more information on all Westinghouse appliances, or for dimension and installation information, call into your retailer, phone or email our customer care team or visit our website:**

**AUSTRALIA**

phone: 13 13 49

email: [customercare@electrolux.com.au](mailto:customercare@electrolux.com.au)


web: [westinghouse.com.au](http://westinghouse.com.au)

**NEW ZEALAND**

phone: 0800 436 245

email: [customercare@electrolux.co.nz](mailto:customercare@electrolux.co.nz)

web: [westinghouse.co.nz](http://westinghouse.co.nz)

 and WESTINGHOUSE are trademarks of Westinghouse Electric Corporation. Used under license. All Rights Reserved.

Part number: ANC A02438703  
Drawing D0048611  
© 2019 Electrolux Home Products Pty Ltd.  
ABN 51 004 762 341  
WMAN\_IGCT\_Oct19