

54cm white electric freestanding cooker with separate electric grill, fan forced electric oven, 60 minute timer and a 4 zone solid cooktop.



Product Details

FEATURES

Electric fan forced oven

Handy separate grilling compartment

Easy clean formed shelf supports

1 hour mechanical timer

80L/22L capacity oven/grill

Solid elements

Power on indicator indicates if power is on to provide peace of mind

BENEFITS

Fan forced for even cooking

When it comes to cooking, one of the biggest is even heat distribution over your dishes. By using fan forced cooking you are able to create an even cooking result.

Grill separately for smooth entertaining

The separate grilling compartment on selected models means you can entertain guests and cook big family meals with absolute ease and without compromising on precious oven space.

Set for 1 hour

The mechanical timer keeps track of your cooking time for 1 hour.

On and ready to cook

The power on indicator clearly shows when your cooktop is on allowing your family to safely move around the kitchen.

Built in Australia

Westinghouse, has been the heart of the home for generations and the kitchen appliance brand we have always known and trusted to build reliable products. This oven is built in a local factory in Adelaide.

Specifications

PRODUCT PROFILE

Domestic warranty details (yrs)	2
---------------------------------	---

Oven fuel	electric
-----------	----------

Materials/Colour	white enamel
------------------	--------------

Controls of Oven	control knob
------------------	--------------

Cooling fan	No
-------------	----

Plinth colour (kickboard)	white
---------------------------	-------

Anti tilt plate	Yes
-----------------	-----

Front/rear controls	front
---------------------	-------

MAIN OVEN

Gross capacity litres	80
-----------------------	----

Useable capacity litres	74
-------------------------	----

Oven function	fan forced
---------------	------------

Cleaning	easy clean door
----------	-----------------

DIMENSIONS

PRODUCT DIMENSION

Total height (mm)	970
-------------------	-----

Total width (mm)	540
------------------	-----

Total depth (mm)	630
------------------	-----

SECOND OVEN OR GRILL

Gross capacity litres	22
-----------------------	----

Fold down grill element	No
-------------------------	----

Closed door grilling	No
----------------------	----

Shelf support	side rack
---------------	-----------

MAIN OVEN

Oven liner	enamel
Timer functions	minute minder,Ringer
Lights	1
Light wattage	25
Layers of glass in door	2
Shelf support	easy clean formed shelf supports
Number of shelves	2
Number of shelf positions	5

ELECTRICAL CONNECTION

Connected load KW	10.6
Type of connection	hardwired

SECOND OVEN OR GRILL

Number of shelf positions	1
---------------------------	---

SHIPPING

Shipping Weight (Kg)	45
Pack Dimensions Height (mm)	1235
Pack Dimension Width (mm)	580
Pack Dimension Depth (mm)	726

STUFFING QUANTITIES

40ft	128
------	-----

40ft HC	152
---------	-----

COOKTOP (IF APPLICABLE)

PRODUCT PROFILE

Cook top type	electric
---------------	----------

Materials/Colour	white
------------------	-------

Removable trim (for cleaning)	No
-------------------------------	----

Wok included designed to fit cooktop	No
--------------------------------------	----

Knob finish	white
-------------	-------

ELEMENTS/BURNERS

Cooking zones	4
---------------	---

LEFT FRONT ZONE

Left front Watts	1500
------------------	------

LEFT REAR ZONE

Left rear zone	solid
----------------	-------

Left rear watts	2000
-----------------	------

RIGHT FRONT ZONE

Right front Watts	1500
-------------------	------

RIGHT REAR ZONE

Right rear watts	1000
------------------	------

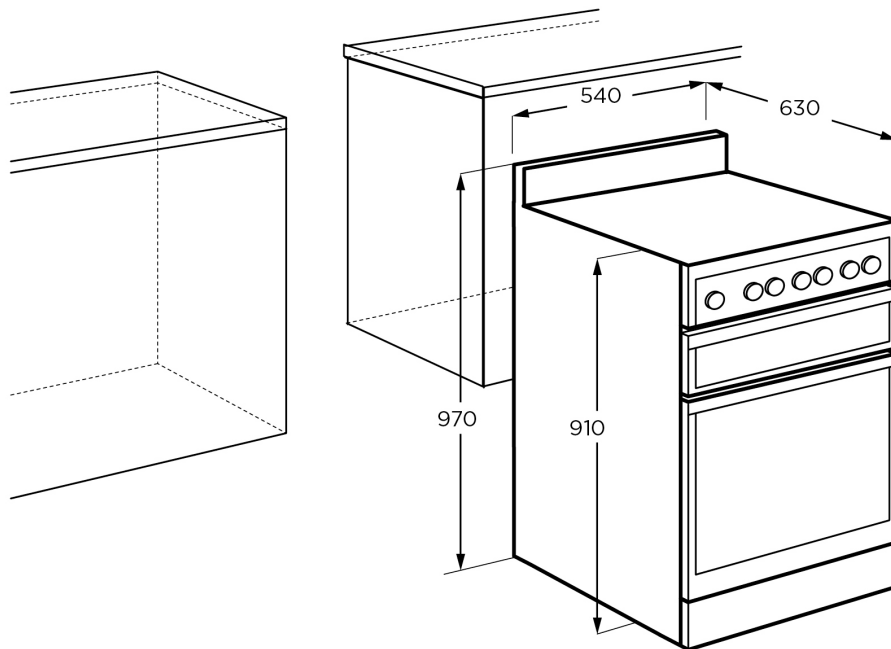
CONTROLS

Position of controls	front
----------------------	-------

Dimensions

54cm Front Control Freestanding Cooker, Separate Grill

WFE512SC, WFE542SC, WFE532WC



IMPORTANT

These dimensions are a guide only. All measurements are in millimetres (mm).
For complete installation instructions, refer to the manual provided with product.

Terms and Conditions

IMPORTANT

This is a guide of product dimensions only. For complete installation instructions, refer to the manual provided with product.

PRODUCT INFORMATION

The descriptors and illustrations in this publication apply to the specific products and models described as at the date of issue. Under our policy of continuous product development, product specifications may change without notice. Prospective purchasers should therefore check with their retailer to ensure this publication correctly describes the products that are being offered for sale. All information supplied is to be used for general reference purposes only and is on the understanding that Electrolux Home Products Pty Ltd (Australia) and Electrolux (NZ) Ltd (New Zealand) will not be liable for any loss, liability or damage of whatever kind arising as a result of reliance on such information. Colours of products illustrated are as close as printing limitations allow. Electrolux will at all times comply with its obligations pursuant to law including Trade Practices (Australian Consumer Law) Act and Regulations.

WARRANTY

This warranty only applies to Appliances purchased and used in Australia or New Zealand and used in normal domestic applications and is in addition to (and does not exclude, restrict, or modify in any way) any non-excludable statutory warranties in Australia or New Zealand. All warranties are subject to the conditions set out in the warranty card accompanying the product when purchased.

ELECTROLUX HOME PRODUCTS AUSTRALIA

telephone: 1300 363 640

fax: 1800 350 067

email: customercare@electrolux.com.au

web: www.electrolux.com.au

ELECTROLUX HOME PRODUCTS NEW ZEALAND

telephone: 09 573 2230

fax: 09 573 2221

email: customercare@electrolux.co.nz

web: www.electrolux.co.nz