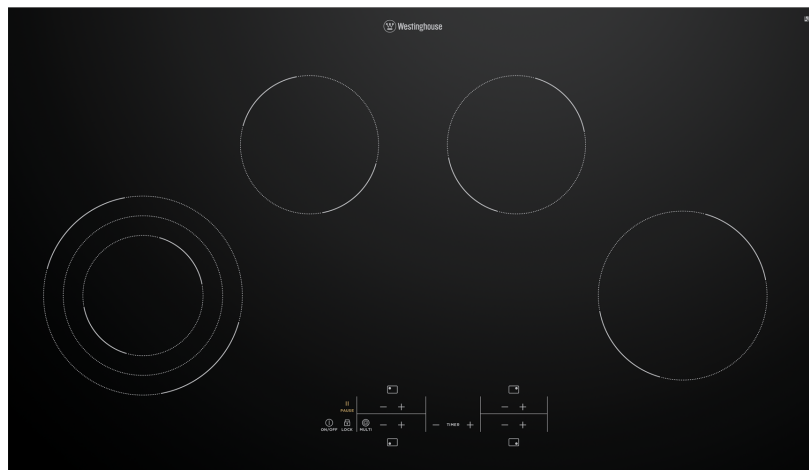


90cm 4 zone ceramic cooktop with triple variable zone, touch controls, Pause function, QuickCook Timer and residual heat indicator.



Product Details

FEATURES

Triple Zone

Touch on glass controls

Pause

QuickCook Timer

2.3kW powerful zone

Residual Heat Indicator

Child safety lock

Easy clean ceramic surface

BENEFITS

Triple zone, for pots of different sizes

Whether youre using your smallest pan or your larger pot theres an extra large cooking zone to handle them all. With the ability to adjust its diameter into three sizes, this unrivalled flexibility gives you the freedom to create your best meals yet.

Easy touch-on glass control

Total control is at your fingertips with a simple touch on the easy-clean glass control panel.

Timed to perfection

Never over-cook or burn dinner again. Just set the cooking time and your cooktop will automatically turn the heat off for you.

Safety first

Kitchen safety comes before everything else, so our heat indicators show activated hotplates as well as hotplates that are still cooling down.

Specifications

PRODUCT PROFILE

| | |
|---------------------------------|---------------------|
| Domestic warranty details (yrs) | 2 |
| Cooktop type | ceramic |
| Materials/Colour | black ceramic glass |
| Removable trim (for cleaning) | No |

CONTROLS

| | |
|-----------------------|-------------------------------------------------------------------------|
| Controls of Cooktops | touch |
| Position of controls | front |
| Functions of Cooktops | timer,Keep warm function,pause |
| Indicators/display | fault indicator,residual heat warning lamps |
| Features of Cooktop | safety child lock,hot surface indicator,safety cut off,electronic timer |
| Timer of Cooktop | programmable 99min,countdown |

DIMENSIONS

| | |
|---------------------------|-----|
| Total product height (mm) | 46 |
| Total product width (mm) | 900 |
| Total product depth (mm) | 520 |
| Cut out width (mm) | 880 |
| Cut out depth (mm) | 490 |

ELEMENTS/BURNERS

LEFT FRONT ZONE

| | |
|------------------------------------|----------------|
| Left front zone | ceramic triple |
| Left front Watts | 2300 |
| Left front number of cooking zones | 1 |
| Left front diameter mm | 210 |

LEFT REAR ZONE

| | |
|----------------|---------|
| Left rear zone | ceramic |
|----------------|---------|

| | |
|-----------------|------|
| Left rear watts | 1200 |
|-----------------|------|

| | |
|-----------------------------------|---|
| Left rear number of cooking zones | 1 |
|-----------------------------------|---|

| | |
|-----------------------|-----|
| Left rear diameter mm | 140 |
|-----------------------|-----|

RIGHT REAR ZONE

| | |
|-----------------|---------|
| Right rear zone | ceramic |
|-----------------|---------|

| | |
|------------------|------|
| Right rear watts | 1200 |
|------------------|------|

| | |
|------------------------------------|---|
| Right rear number of cooking zones | 1 |
|------------------------------------|---|

| | |
|------------------------|-----|
| Right rear diameter mm | 140 |
|------------------------|-----|

SHIPPING

| | |
|----------------------|------|
| Shipping Weight (Kg) | 11.4 |
|----------------------|------|

| | |
|-----------------------------|-----|
| Pack Dimensions Height (mm) | 108 |
|-----------------------------|-----|

| | |
|---------------------------|------|
| Pack Dimension Width (mm) | 1005 |
|---------------------------|------|

RIGHT FRONT ZONE

| | |
|------------------|---------|
| Right front zone | ceramic |
|------------------|---------|

| | |
|-------------------|------|
| Right front Watts | 1800 |
|-------------------|------|

| | |
|-------------------------------------|---|
| Right front number of cooking zones | 1 |
|-------------------------------------|---|

| | |
|-------------------------|-----|
| Right front diameter mm | 180 |
|-------------------------|-----|

ELECTRICAL SPECIFICATIONS

| | |
|-------------------|-----|
| Connected load KW | 6.5 |
|-------------------|-----|

| | |
|--------------------|-----------|
| Type of connection | hardwired |
|--------------------|-----------|

STUFFING QUANTITIES

| | |
|------|-----|
| 20ft | 400 |
|------|-----|

| | |
|------|-----|
| 40ft | 840 |
|------|-----|

| | |
|---------|-----|
| 40ft HC | 902 |
|---------|-----|

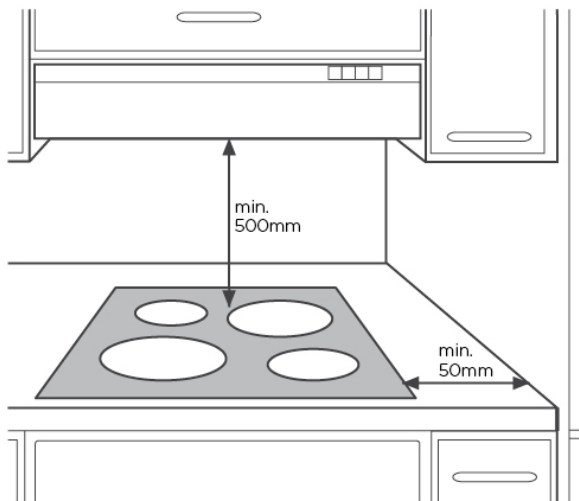
SHIPPING

| | |
|------------------------------|-----|
| Pack Dimension Depth (mm) | 600 |
|------------------------------|-----|

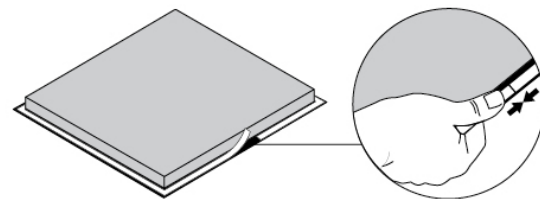
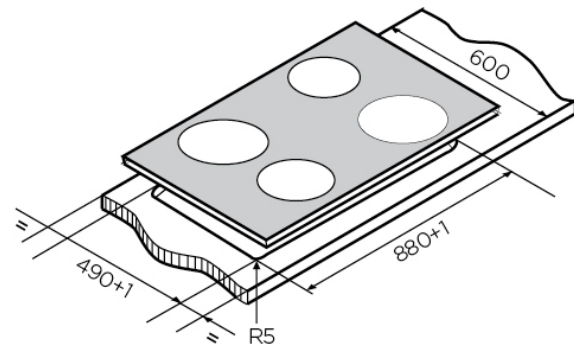
Dimensions

90cm electric cooktop

WHC943BC



NOTE: The clearance must meet or exceed the minimum recommended for both the rangehood and cooktop. Refer to the rangehood installation manual.



WARNING

Surface temperatures of base exceed 95°C, under bench access must be restricted by use of non-combustible barrier on installation

IMPORTANT

These dimensions are a guide only. All measurements are in millimetres (mm). For complete installation instructions, refer to the manual provided with product.

Terms and Conditions

IMPORTANT

This is a guide of product dimensions only. For complete installation instructions, refer to the manual provided with product.

PRODUCT INFORMATION

The descriptors and illustrations in this publication apply to the specific products and models described as at the date of issue. Under our policy of continuous product development, product specifications may change without notice. Prospective purchasers should therefore check with their retailer to ensure this publication correctly describes the products that are being offered for sale. All information supplied is to be used for general reference purposes only and is on the understanding that Electrolux Home Products Pty Ltd (Australia) and Electrolux (NZ) Ltd (New Zealand) will not be liable for any loss, liability or damage of whatever kind arising as a result of reliance on such information. Colours of products illustrated are as close as printing limitations allow. Electrolux will at all times comply with its obligations pursuant to law including Trade Practices (Australian Consumer Law) Act and Regulations.

WARRANTY

This warranty only applies to Appliances purchased and used in Australia or New Zealand and used in normal domestic applications and is in addition to (and does not exclude, restrict, or modify in any way) any non-excludable statutory warranties in Australia or New Zealand. All warranties are subject to the conditions set out in the warranty card accompanying the product when purchased.

ELECTROLUX HOME PRODUCTS AUSTRALIA

telephone: 1300 363 640

fax: 1800 350 067

email: customercare@electrolux.com.au

web: www.electrolux.com.au

ELECTROLUX HOME PRODUCTS NEW ZEALAND

telephone: 09 573 2230

fax: 09 573 2221

email: customercare@electrolux.co.nz

web: www.electrolux.co.nz