

**60cm multifunction 5 stainless steel oven with 2 hour auto-off timer, 80L gross capacity combined with a 4 zone ceramic cooktop with dual variable zone.**



## Product Details

### FEATURES

---

2 hour auto-off oven timer

Easy guide side racks

Cooler to Touch Doors

4 zone cooktop with dual variable zone

---

80L gross capacity oven

---

### BENEFITS

---

Set your timer, we'll do the work

Designed to be simple to operate our 2 hour auto-off timer allows you to set your oven for up to 2 hours of cooking time with the ability to alert you and switch itself off.

Place your shelves in with ease

Our easy guide side racks allow you to place your oven shelves in with ease.

---

Cooler to touch oven doors

Beautifully designed with Australian families in mind, the multi-layer glazing of our oven doors are cooler to the touch when the oven is hot.

More versatility with variable zones

With Dual Zone functionality you are able to adjust your cooking surface to suit your pot or pan size with ease.

---

Family meals made easy

With room for the family roast or a delicious dessert, our 80L capacity in our 60cm oven range allows you to make every mealtime easy and full of flavour.

---

## Specifications

### PRODUCT PROFILE

---

Domestic warranty details (yrs)	2
Type of Oven	single oven
Oven fuel	electric
Materials/Colour	stainless steel
Controls of Oven	control knob
Cooling fan	Yes

### FLUSH FIT CUT OUT

---

Flush fit cut out height (mm)	600
Flush fit cut out width (mm)	600
Flush fit cut out depth (mm)	581

### MAIN OVEN

### DIMENSIONS

---

#### PRODUCT DIMENSION

---

Total height (mm)	597
Total width (mm)	596
Total depth (mm)	573

### PROUD FIT CUT OUT

---

Proud fit cut out height (mm)	590
Proud fit cut out width (mm)	565
Proud fit cut out depth (mm)	560

### ELECTRICAL CONNECTION

## MAIN OVEN

---

Gross capacity litres	80
-----------------------	----

---

Useable capacity litres	72
-------------------------	----

---

Oven function	fan forced
---------------	------------

---

Number of functions	3
---------------------	---

---

Oven Functions	grill,fan grill,defrost,fan forced cooking,light
----------------	--

---

Timer functions	Auto off ,Ringer
-----------------	------------------

---

## OTHER FEATURES

---

Cleaning	easy clean door
----------	-----------------

---

Door	drop down,removable door,removable inner glass panes
------	--

---

Timer	120 minute auto off timer
-------	---------------------------

---

Lights	1
--------	---

---

Light wattage	25
---------------	----

---

Light position	rear
----------------	------

---

Shelf support	Easy glide side racks
---------------	-----------------------

---

## ELECTRICAL CONNECTION

---

Connected load KW	8.7
-------------------	-----

---

Maximum current rating (amps)	36.3
-------------------------------	------

---

Type of connection	hardwired
--------------------	-----------

---

## COOKTOP (IF APPLICABLE)

### PRODUCT PROFILE

---

Cook top type	ceramic
---------------	---------

---

Materials/Colour	black ceramic glass
------------------	---------------------

---

## OTHER FEATURES

---

Number of shelves	2
-------------------	---

---

Safety features	cool door
-----------------	-----------

---

Closed door grilling	Yes
----------------------	-----

---

Included accessories	grill/oven pan,anti splatter grill insert,2 x chromed wire shelf,baking tray,side racks
----------------------	---

---

Layers of glass in door	2
-------------------------	---

---

Number of shelf positions	5
---------------------------	---

---

## ELEMENTS/BURNERS

---

Cooking zones	4
---------------	---

---

## LEFT REAR ZONE

---

Left rear zone	ceramic
----------------	---------

---

Left rear watts	1200
-----------------	------

---

## LEFT FRONT ZONE

---

Left front zone	ceramic
-----------------	---------

---

Left front Watts	2200
------------------	------

---

Left front number of cooking zones	1
------------------------------------	---

---

## RIGHT FRONT ZONE

---

Right front zone	ceramic
------------------	---------

---

Right front Watts	1200
-------------------	------

---

## RIGHT REAR ZONE

---

Right rear zone	ceramic
-----------------	---------

---

Right rear watts	1800
------------------	------

---

## DIMENSIONS

---

Total product height (mm)	45
---------------------------	----

---

Total product width (mm)	610
--------------------------	-----

---

Total product depth (mm)	515
--------------------------	-----

---

Cut out width (mm)	560
--------------------	-----

---

Cut out depth (mm)	490
--------------------	-----

---

## STUFFING QUANTITIES

---

40ft	153
------	-----

---

## ELECTRICAL CONNECTION

---

Connected load KW	8.7
-------------------	-----

---

Maximum current rating Amps	36.1
--------------------------------	------

---

## SHIPPING

---

Shipping Weight (Kg)	42.0
----------------------	------

---

Pack Dimensions Height (mm)	780
--------------------------------	-----

---

Pack Dimension Width (mm)	635
------------------------------	-----

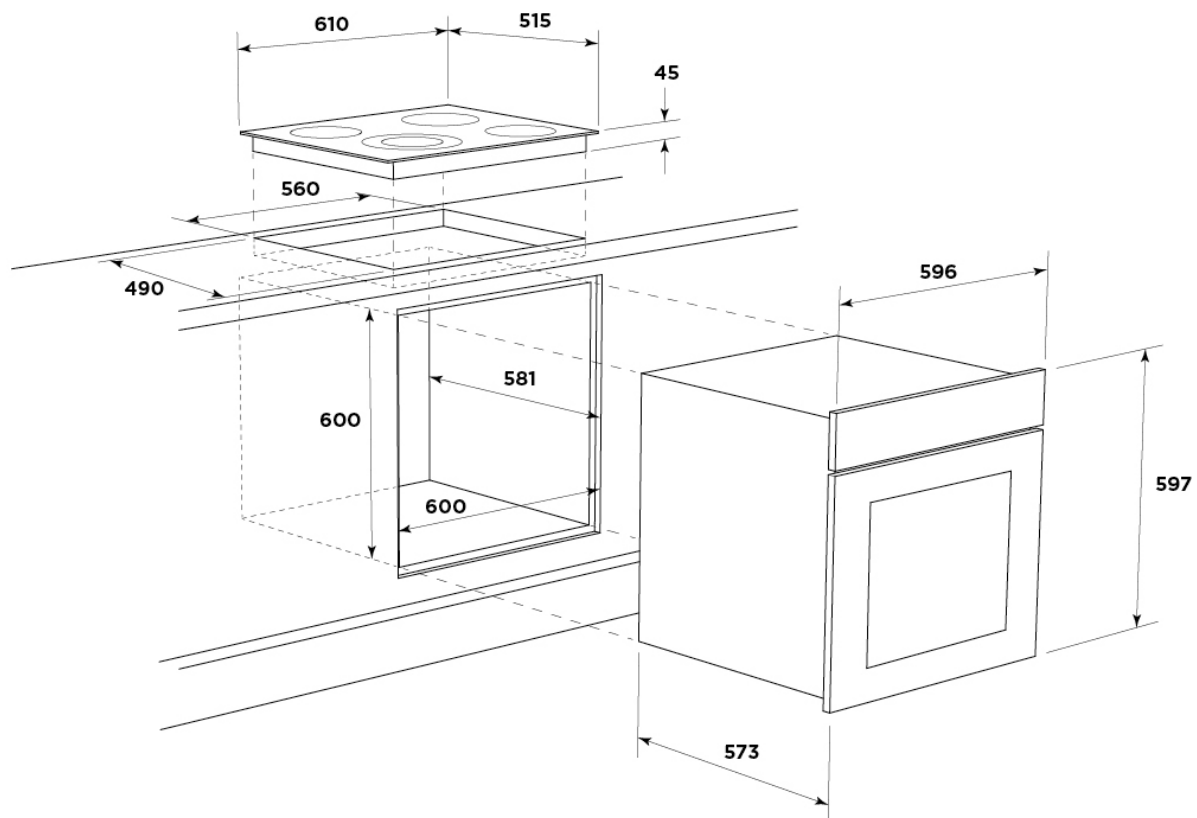
---

Pack Dimension Depth (mm)	675
------------------------------	-----

---

## Dimensions

WVE645SC



**IMPORTANT**

These dimensions are a guide only. All measurements are in millimetres (mm).  
For complete installation instructions, refer to the manual provided with product.

# Terms and Conditions

## IMPORTANT

This is a guide of product dimensions only. For complete installation instructions, refer to the manual provided with product.

## PRODUCT INFORMATION

The descriptors and illustrations in this publication apply to the specific products and models described as at the date of issue. Under our policy of continuous product development, product specifications may change without notice. Prospective purchasers should therefore check with their retailer to ensure this publication correctly describes the products that are being offered for sale. All information supplied is to be used for general reference purposes only and is on the understanding that Electrolux Home Products Pty Ltd (Australia) and Electrolux (NZ) Ltd (New Zealand) will not be liable for any loss, liability or damage of whatever kind arising as a result of reliance on such information. Colours of products illustrated are as close as printing limitations allow. Electrolux will at all times comply with its obligations pursuant to law including Trade Practices (Australian Consumer Law) Act and Regulations.

## WARRANTY

This warranty only applies to Appliances purchased and used in Australia or New Zealand and used in normal domestic applications and is in addition to (and does not exclude, restrict, or modify in any way) any non-excludable statutory warranties in Australia or New Zealand. All warranties are subject to the conditions set out in the warranty card accompanying the product when purchased.

### ELECTROLUX HOME PRODUCTS AUSTRALIA

telephone: 1300 363 640

fax: 1800 350 067

email: [customercare@electrolux.com.au](mailto:customercare@electrolux.com.au)

web: [www.electrolux.com.au](http://www.electrolux.com.au)

### ELECTROLUX HOME PRODUCTS NEW ZEALAND

telephone: 09 573 2230

fax: 09 573 2221

email: [customercare@electrolux.co.nz](mailto:customercare@electrolux.co.nz)

web: [www.electrolux.co.nz](http://www.electrolux.co.nz)