

90cm pyrolytic multi-function 10 stainless steel oven with AirFry, twin fan system, telescopic runners, full touch electronic controls and 125L gross capacity.



Product Details

FEATURES

AirFry	PyroClean	Twin Fan System	Telescopic Runners One set of telescopic runners
Digital Programmable timer	Stainless Steel Finish	Cooler to Touch Doors	Easy guide side racks
Large 125L gross oven capacity	Quadruple glazed doors		

BENEFITS

AirFry for that perfect, crunch

When a food craving hits, make healthier and delicious food right in your oven with minimal oil. Deliver all the flavour and none of the guilt. AirFry allows you to make healthier, tasty meals for the entire family right in your oven.

Ovens that clean up after themselves

Even cleaning up is easier with Westinghouse. Choose a PyroClean oven and with the press of a button you can keep your oven shiny and clean. The oven turns on to an extremely high temperature, turning grease and grime into ash. All you need to do is simply wipe the residue away. No nasty chemicals, no greasy mess just a sparkling clean oven with minimal effort.

Twin fan system for even cooking

Cook each dish to perfection with the Twin Fan System. Fans rotate in opposite directions, distributing heat evenly throughout the oven, so you enjoy great results every time.

Programmable timer

The programmable timer gives the ability to plan your start and finish cooking time to the minute.

Designed for ease and safety

Telescopic runners are another piece of thoughtful design that makes it easy to draw racks out and safely check on your dishes during cooking.

Cooler to touch oven doors

Beautifully designed with Australian families in mind, the multi-layer glazing of our oven doors are cooler to the touch when the oven is hot.

Built in Australia

Westinghouse, has been the heart of the home for generations and the kitchen appliance brand we have always known and trusted to build reliable products. This oven is built in a local factory in Adelaide.

Specifications

PRODUCT PROFILE

Domestic warranty details (yrs)	2
---------------------------------	---

Type of Oven	single oven
--------------	-------------

Oven fuel	electric
-----------	----------

Materials/Colour	stainless steel
------------------	-----------------

Controls of Oven	control knob,3 button touch control LED
------------------	---

Cooling fan	Yes
-------------	-----

FLUSH FIT CUT OUT

Flush fit cut out height (mm)	600
-------------------------------	-----

Flush fit cut out width (mm)	900
------------------------------	-----

Flush fit cut out depth (mm)	580
------------------------------	-----

DIMENSIONS

PRODUCT DIMENSION

Total height (mm)	596
-------------------	-----

Total width (mm)	895
------------------	-----

Total depth (mm)	572
------------------	-----

MAIN OVEN

Gross capacity litres	125
-----------------------	-----

Useable capacity litres	116
-------------------------	-----

Oven function	multifunction
---------------	---------------

Number of functions	12
---------------------	----

Oven Functions	pizza,rapid heat,base heat,pyro clean ,grill,defrost,maxi grill,traditional bake,full grill,fan forced cooking
----------------	--

ELECTRICAL CONNECTION

Connected load KW	5.2
Maximum current rating (amps)	25
Type of connection	hardwired

MAIN OVEN

Oven liner	pyrolux high temperature enamel
Timer functions	duration,end,minute minder,oven start,Countdown
Light wattage	25

OTHER FEATURES

Cleaning	pyrolytic
Pyrolytic functions	2
Type of Pyrolytic functions	pyrolytic light clean,pyrolytic medium clean
Door	removable door,removable inner glass panes,drop down
Timer	Fully programmable touch control timer
Lights	2
Light wattage	25
Light position	top
Shelf support	Easy glide side racks
Number of shelves	2

OTHER FEATURES

Safety features	cool door
-----------------	-----------

Closed door grilling	Yes
----------------------	-----

Included accessories	grill rack,2 x chromed wire shelf,grill/oven pan,grill insert,telescopic runner x 1
----------------------	---

Layers of glass in door	4
-------------------------	---

Number of shelf positions	5
---------------------------	---

SHIPPING

Shipping Weight (Kg)	72.0
----------------------	------

Pack Dimensions Height (mm)	720
-----------------------------	-----

Pack Dimension Width (mm)	990
---------------------------	-----

Pack Dimension Depth (mm)	740
---------------------------	-----

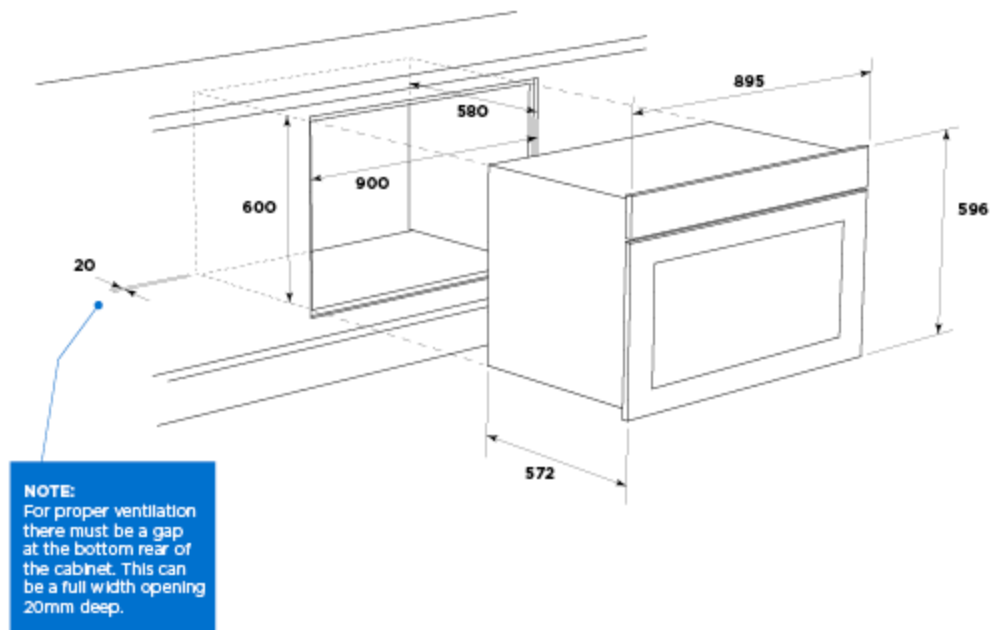
STUFFING QUANTITIES

40ft	96
------	----

Dimensions

90cm ovens

WVE915SC, WVEP916SC, WVEP917DSC, WVE915SCA, WVE915DSCA



IMPORTANT

These dimensions are a guide only. All measurements are in millimetres (mm). For complete installation instructions, refer to the manual provided with product.

© 2023 Electrolux Home Products Pty Ltd. ABN 51 004 762 341. W_DIM_Aspire_90cm_BIO_Jun23

Terms and Conditions

IMPORTANT

This is a guide of product dimensions only. For complete installation instructions, refer to the manual provided with product.

PRODUCT INFORMATION

The descriptors and illustrations in this publication apply to the specific products and models described as at the date of issue. Under our policy of continuous product development, product specifications may change without notice. Prospective purchasers should therefore check with their retailer to ensure this publication correctly describes the products that are being offered for sale. All information supplied is to be used for general reference purposes only and is on the understanding that Electrolux Home Products Pty Ltd (Australia) and Electrolux (NZ) Ltd (New Zealand) will not be liable for any loss, liability or damage of whatever kind arising as a result of reliance on such information. Colours of products illustrated are as close as printing limitations allow. Electrolux will at all times comply with its obligations pursuant to law including Trade Practices (Australian Consumer Law) Act and Regulations.

WARRANTY

This warranty only applies to Appliances purchased and used in Australia or New Zealand and used in normal domestic applications and is in addition to (and does not exclude, restrict, or modify in any way) any non-excludable statutory warranties in Australia or New Zealand. All warranties are subject to the conditions set out in the warranty card accompanying the product when purchased.

ELECTROLUX HOME PRODUCTS AUSTRALIA

telephone: 1300 363 640

fax: 1800 350 067

email: customercare@electrolux.com.au

web: www.electrolux.com.au

ELECTROLUX HOME PRODUCTS NEW ZEALAND

telephone: 09 573 2230

fax: 09 573 2221

email: customercare@electrolux.co.nz

web: www.electrolux.co.nz