

60cm multi-function 5 white gas fan forced oven with separate grill, programmable timer, knob controls and 80L gross capacity.



Product Details

FEATURES

Handy separate grilling compartment

Programmable timer

Easy guide side racks

Cooler to Touch Doors

80L gross capacity oven

Knob control

BENEFITS

Set and forget

Set the timer for your cook, and our oven will switch off when it's done.

Place your shelves in with ease

Our easy guide side racks allow you to place your oven shelves in with ease.

Cooler to touch oven doors

Beautifully designed with Australian families in mind, the multi-layer glazing of our oven doors are cooler to the touch when the oven is hot.

Family meals made easy

With room for the family roast or a delicious dessert, our 80L capacity in our 60cm oven range allows you to make every mealtime easy and full of flavour.

Built in Australia

Westinghouse, has been the heart of the home for generations and the kitchen appliance brand we have always known and trusted to build reliable products. This oven is built in a local factory in Adelaide.

Specifications

PRODUCT PROFILE

Domestic warranty details (yrs)	2
Type of Oven	separate grill wall oven
Oven fuel	gas
Materials/Colour	white
Controls of Oven	control knob,3 button touch control LED
Cooling fan	Yes

FLUSH FIT CUT OUT

Flush fit cut out height (mm)	893
Flush fit cut out width (mm)	600
Flush fit cut out depth (mm)	581

MAIN OVEN

DIMENSIONS

PRODUCT DIMENSION

Total height (mm)	888
Total width (mm)	596
Total depth (mm)	573

PROUD FIT CUT OUT

Proud fit cut out height (mm)	885
Proud fit cut out width (mm)	565
Proud fit cut out depth (mm)	560

SECOND OVEN OR GRILL

MAIN OVEN

Gross capacity litres	80
Useable capacity litres	72
Oven function	fan forced
Number of functions	3
Oven Functions	traditional bake,defrost,fan forced cooking
Timer functions	minute minder,Cook time,End time,Delayed start,Time of day,24 hour clock

ELECTRICAL CONNECTION

Connected load KW	2.3
Maximum current rating (amps)	9.6
Type of connection	10A plug & lead

SECOND OVEN OR GRILL

Oven Functions	grill
Fold down grill element	No
Closed door grilling	No
Shelf support	side rack
Number of shelf positions	3
Layers of glass in door	2

OTHER FEATURES

Cleaning	easy clean door
Door	drop down
Timer	3 button touch control programmable timer
Lights	1
Light wattage	25
Light position	rear
Shelf support	Easy glide side racks

OTHER FEATURES

Number of shelves	2
-------------------	---

Safety features	cool door,flame failure safety device
-----------------	---------------------------------------

Closed door grilling	No
----------------------	----

Fold down grill element	Yes
-------------------------	-----

Included accessories	grill/oven pan,2 x chromed wire shelf,baking tray,side racks,grill insert
----------------------	---

Layers of glass in door	2
-------------------------	---

Number of shelf positions	5
---------------------------	---

COOKTOP (IF APPLICABLE)

DIMENSIONS

Total product height (mm)	888
---------------------------	-----

Total product width (mm)	596
--------------------------	-----

Total product depth (mm)	573
--------------------------	-----

Cut out width (mm)	600
--------------------	-----

Cut out depth (mm)	581
--------------------	-----

SHIPPING

Shipping Weight (Kg)	51.0
----------------------	------

Pack Dimensions Height (mm)	960
-----------------------------	-----

Pack Dimension Width (mm)	635
---------------------------	-----

Pack Dimension Depth (mm)	670
---------------------------	-----

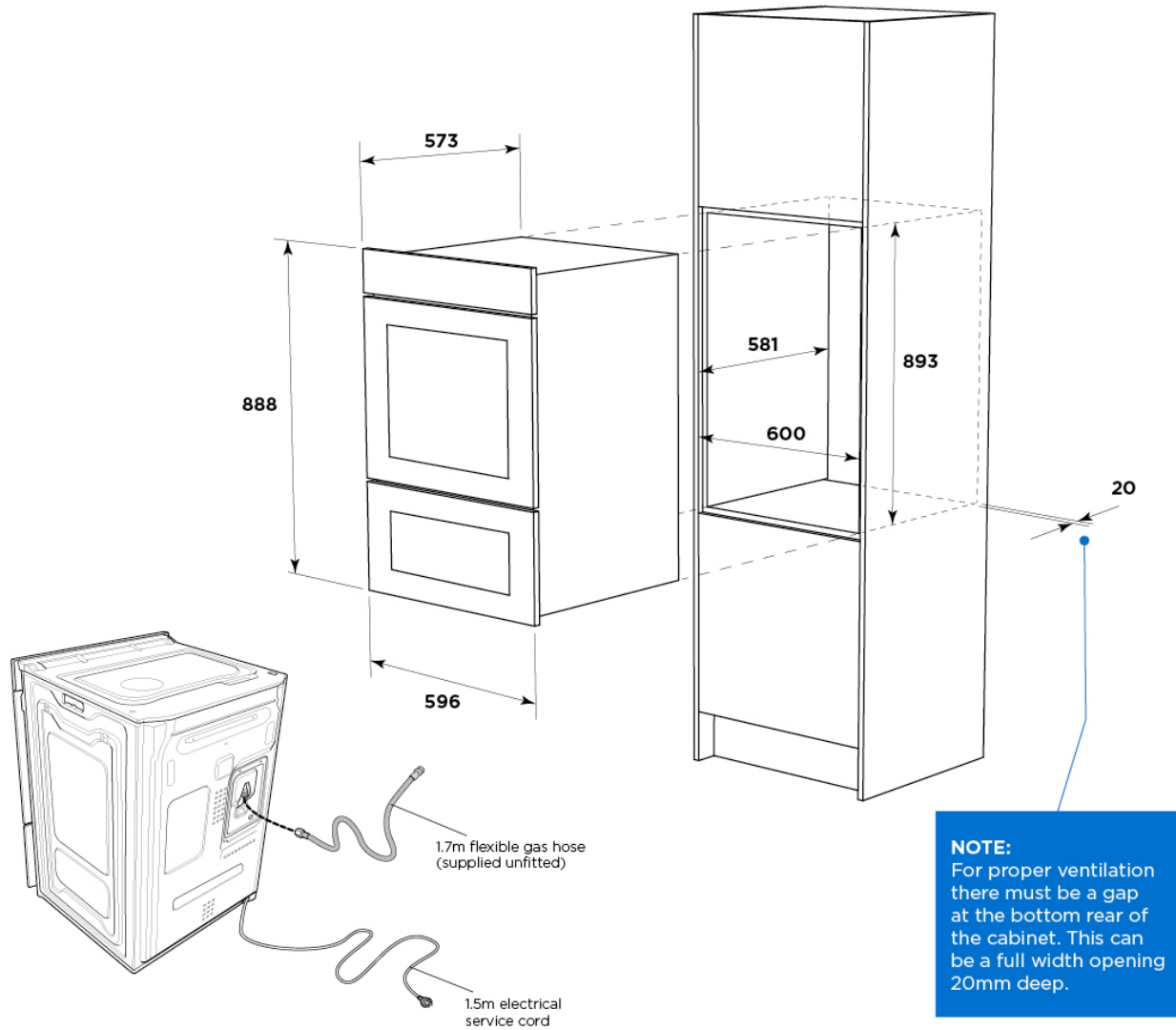
Cut out height (mm) 893

STUFFING QUANTITIES

40ft 153

Dimensions

WVG665SC/WC



IMPORTANT

These dimensions are a guide only. All measurements are in millimetres (mm). For complete installation instructions, refer to the manual provided with product.

Terms and Conditions

IMPORTANT

This is a guide of product dimensions only. For complete installation instructions, refer to the manual provided with product.

PRODUCT INFORMATION

The descriptors and illustrations in this publication apply to the specific products and models described as at the date of issue. Under our policy of continuous product development, product specifications may change without notice. Prospective purchasers should therefore check with their retailer to ensure this publication correctly describes the products that are being offered for sale. All information supplied is to be used for general reference purposes only and is on the understanding that Electrolux Home Products Pty Ltd (Australia) and Electrolux (NZ) Ltd (New Zealand) will not be liable for any loss, liability or damage of whatever kind arising as a result of reliance on such information. Colours of products illustrated are as close as printing limitations allow. Electrolux will at all times comply with its obligations pursuant to law including Trade Practices (Australian Consumer Law) Act and Regulations.

WARRANTY

This warranty only applies to Appliances purchased and used in Australia or New Zealand and used in normal domestic applications and is in addition to (and does not exclude, restrict, or modify in any way) any non-excludable statutory warranties in Australia or New Zealand. All warranties are subject to the conditions set out in the warranty card accompanying the product when purchased.

ELECTROLUX HOME PRODUCTS AUSTRALIA

telephone: 1300 363 640

fax: 1800 350 067

email: customercare@electrolux.com.au

web: www.electrolux.com.au

ELECTROLUX HOME PRODUCTS NEW ZEALAND

telephone: 09 573 2230

fax: 09 573 2221

email: customercare@electrolux.co.nz

web: www.electrolux.co.nz