
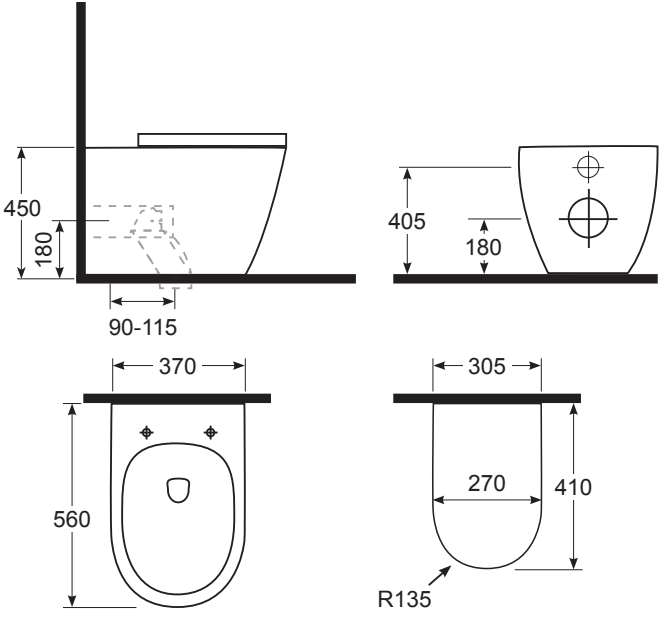




# GRACE WALL FACE PAN & SEAT

Product Image	Technical Specification
 <div data-bbox="119 1037 236 1155"> <p>Comfort Height</p> </div> <div data-bbox="119 1182 600 1339"> <p>Hygienic Flush    Complete Clean    Even Flush    Anti Splash</p> </div>	 <p>Dimensions (mm):              Side View: 450 (total height), 180 (seat height), 90-115 (width)              Top View: 370 (width), 560 (depth)              Bowl View: 405 (height), 180 (seat height), 305 (width), 270 (inner width), 410 (total depth), R135 (radius)</p>

**Description**

**Grace Wall-Face Pan & Seat**  
 S & P-Trap with Soft Close Seat  
 WELS 4 Star / 4.5/3 LPM

**8H16901S4B**

**Additional Information**

- Use with in-wall Flushing System
- 5 Year Warranty on ceramics  
\* Conditions apply
- Hygienic Flush

WATER RATING  
www.waterrating.gov.au  
**3.5** litres average flush  
4.5 L per full / 3 L per half flush  
In accordance with AS/NZS 6400  
Licence No. 0008  
Argent Australia

SOFT CLOSE

