



APPLIANCES FOR LIVING

 **ARTUSI**
THE ART OF LIVING

ACH12BBQ
ACH12BBQB
OPERATION MANUAL

Congratulations, you are now the proud owner of an ARTUSI cooking appliance. Thank you for purchasing ARTUSI and welcome to the ARTUSI Family.

This instruction manual has been specially created to inform you of the full range of features your ARTUSI appliance has to offer and serves as an introduction to getting the very best out of your ARTUSI appliance.

We present detailed information on each of the features your ARTUSI appliance consists of. Once you have read this section you will be able to choose the most appropriate settings for your appliance when cooking different types of food.

We ask you to read the instructions in this booklet very carefully as this will allow you to get the best results from using your appliance. KEEP THE DOCUMENTATION OF THIS PRODUCT FOR FUTURE REFERENCE.

TO REGISTER YOUR PRODUCT WITH ARTUSI, PLEASE FILL OUT THE WARRANTY CARD AT THE END OF THIS BOOKLET AND POST IT TO: **REPLY PAID 83617**
LEICHHARDT NSW 2040

Dear Artusi Customer, please read this user manual carefully before using the product and, keep it permanently at your disposal.

Note: This user manual is prepared for more than one model. Some of the features specified in this Manual may not be available on your appliance.

All our appliances are only for domestic use, not for commercial use. Products marked with (*) are optional.

“THIS APPLIANCE SHALL BE INSTALLED IN ACCORDANCE WITH THE REGULATIONS FORCE AND ONLY USED IN A WELL VENTILATED SPACE. READ THE INSTRUCTIONS BEFORE INSTALLING OR USING THIS APPLIANCE”

“Conforms with the WEEE Regulations.”

IMPORTANT SAFETY INFORMATION

****Read the complete manual carefully before installation****

Warnings:

TO REDUCE THE RISK OF FIRE, ELECTRICAL SHOCK OR PERSONAL INJURY, PLEASE OBSERVE THE FOLLOWING:

1. Installation and electrical work must be done by a qualified person in accordance with all applicable codes and standards
2. If the supply cord is damaged, it must be replaced by the manufacturer, its service agent or a similarly qualified person to avoid a hazard. Any modifications that may be required to the electrical system for the installation of the range hood must only be made by qualified electricians.
3. Before servicing or cleaning unit, turn off the hood and pull out the power plug/cord.
4. Use this unit only in the manner intended by the manufacturer.
5. Sufficient air is needed for combustion and exhausting of gases through the chimney of fuel burning equipment to prevent back drafting. Follow the heating equipment manufacturer's guidelines and safety standards, and the local authorities' codes.
6. When cutting or drilling into a wall or ceiling, be careful not to damage existing electrical wiring and other hidden utilities.
7. Ducted fans must always be vented to the outdoors.
8. To reduce the risk of fire, use only metal ductwork.
9. This unit must be grounded.
10. The appliance is not to be used by persons (including children) with reduced physical, sensory or mental capabilities, or lack of experience and knowledge, unless they have been given supervision or instruction.
11. Children being supervised not to play with the appliance

TO REDUCE THE RISK OF A RANGE TOP GREASE FIRE:

1. Never leave surface units unattended at high settings. Boil-overs cause smoke and greasy spillovers that may ignite. Heat oils slowly on low or medium settings.
2. Always turn hood ON when cooking at high heat.
3. Clean ventilating fans frequently. Grease should not be allowed to accumulate on the fan or filter. Suggest at least one time per month to clean.
4. Always use cookware appropriate for the size of the surface element.

-
5. There shall be adequate ventilation of the room when the range hood is used at the same time as appliances burning gas or other fuels.
 6. The rangehood can be used on six cookers at most; The rangehood can be used on BBQ.

CAUTION

1. To reduce the risk of fire and to properly exhaust air, be sure to duct air outside. Do not vent exhaust air into spaces within walls or ceiling or into attics, crawl spaces or garages.
2. Take care when using cleaning agents or detergents.
3. **Avoid using food products that produce flames under the range hood.**
4. Do not flame under the range hood
5. The range hood must only be used for the exhaust of cooking fumes in home kitchens. The manufacturer disclaims all liability for any other use of the appliance.
6. Two installers are recommended because of the large size and weight of this hood.
7. Use approved cord-connection kit only.
8. Accessible parts may become hot when used with cooking appliances.
9. Please read specification label on product for further information and requirements.

INSTALLATION INSTRUCTIONS

Before You Start...

1. Read this manual carefully and completely.
2. The range hood confirms to related appliance standards. Please check your local building codes for any additional requirements.
3. The appliance has been manufactured as class I, therefore ground connection is necessary. The range hood must be installed so that the plug is easily accessible.

Unpacking

Remove the packaging with the product in place. Cut off the packing ribbons and carefully cut open the packaging (do not cut too deeply), remove the packaging. Check that the product is free from transport damage. Any damage shall be reported immediately to the carrier or seller. Damage, faults and missing parts must be reported immediately to the seller

Installation preparation

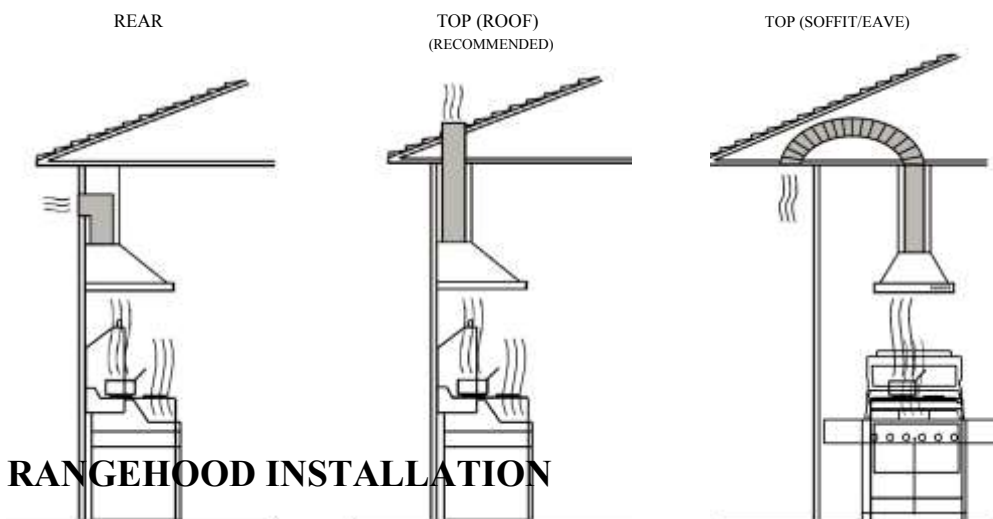
1. Before mounting the hood, plug in and test all functions for proper operation.
2. Remove the filters from the bottom of the hood to prevent damage during the installation.
3. Connect duct tube (if included with the range hood) to the top of the range hood using duct tape on all seals.
3. Your range hood will need to be ducted to ensure it operates and complies with local and national regulations.

DUCT MOUNTING OPTIONS

You will need some additional parts to complete these installations.

All motors need to be ducted individually and the included expanding duct is 150mm diameter.

The air must not be discharged into a flue that is used for exhausting fumes from appliances burning gas or other fuels.



The ideal position of the Rangehood is as follows:

- 1.Height above cooking surface – min. 650mm
- 2.Distance from cooking surface to Rangehood mounting bracket bottom screw holes:

Model: ACH12BBQ

Top mounting holes – Min1085mm

Bottom mounting holes – Min 710mm

Model: ACH12BBQB

Mounting holes – Min 1010mm

Mounting bracket is attached and part of the medium rangehood motor cover.

Note: Rangehood must be level, if not rangehood will not operate correctly.

Model:ACH12BBQ

- 1.Using a tape measure mark the top mounting holes C/L, min 1085mm, above cooking surface. This line should be level.
- 2.Using a tape measure mark the bottom mounting holes C/L 375mm, down from the line discussed in item 1. This line should be level.
- 3.Find the center of the BBQ cooking surface and using a plumb bob, mark this center on the above lines discussed in Item 1 & 2.
- 4.Mark the top mounting holes on the line discussed in Item 1. This mark should be 155mm either side of the center mark discussed in Item 3.
- 5.Mark the bottom mounting holes on the line discussed in Item 2. This mark should be 380mm either side of the center mark discussed in Item 3.

Model:ACH12BBQB

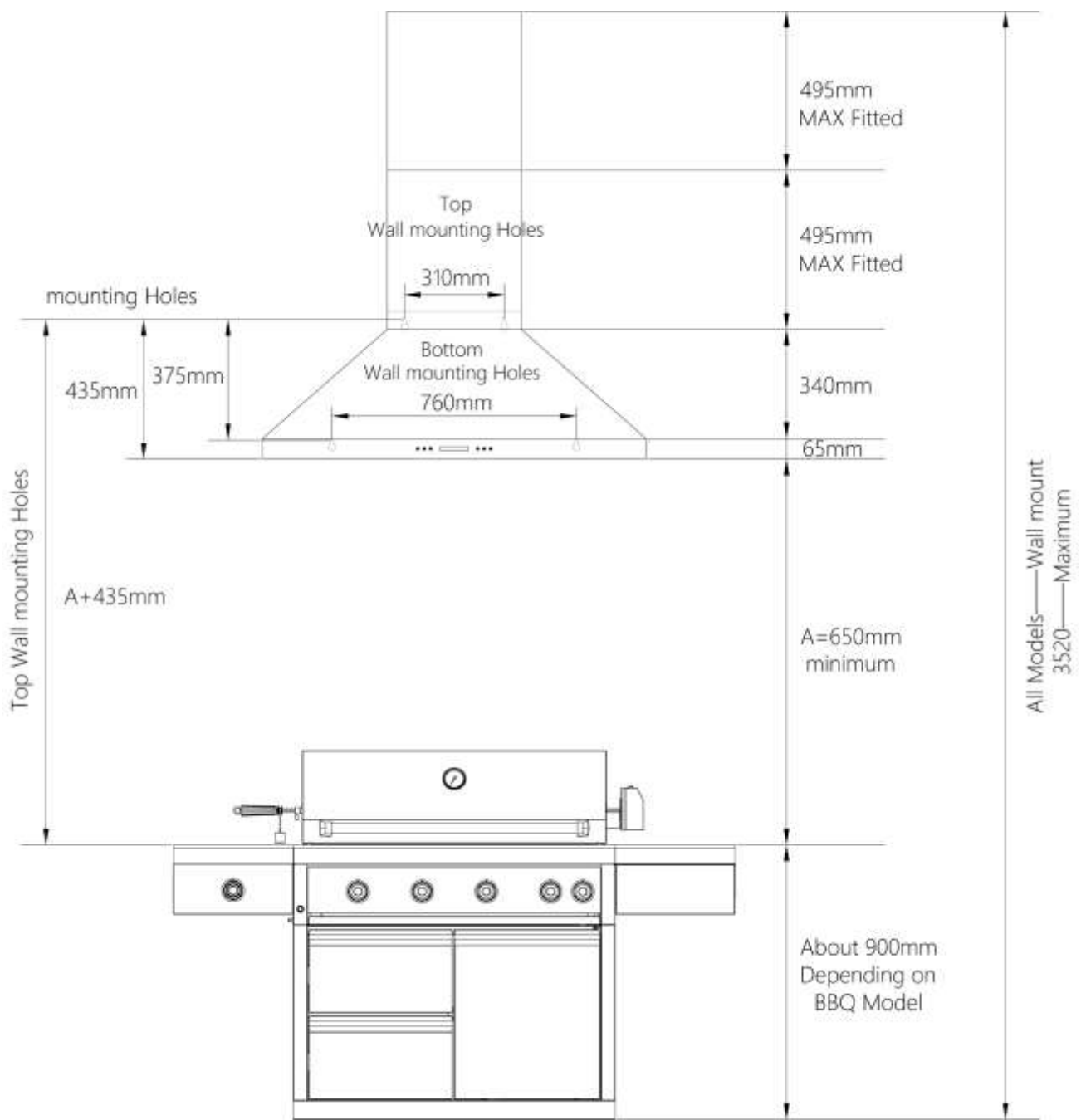
- 1.Using a tape measure mark the mounting holes C/L, min 1010mm, above cooking surface. This line should be level.
- 2.Find the center of the BBQ cooking surface and using a plumb bob, mark this center on the above lines discussed in Item 1.
- 3.Mark the mounting holes on the line discussed in Item 1. This mark should be 230mmeither side of the center mark discussed in Item 2.

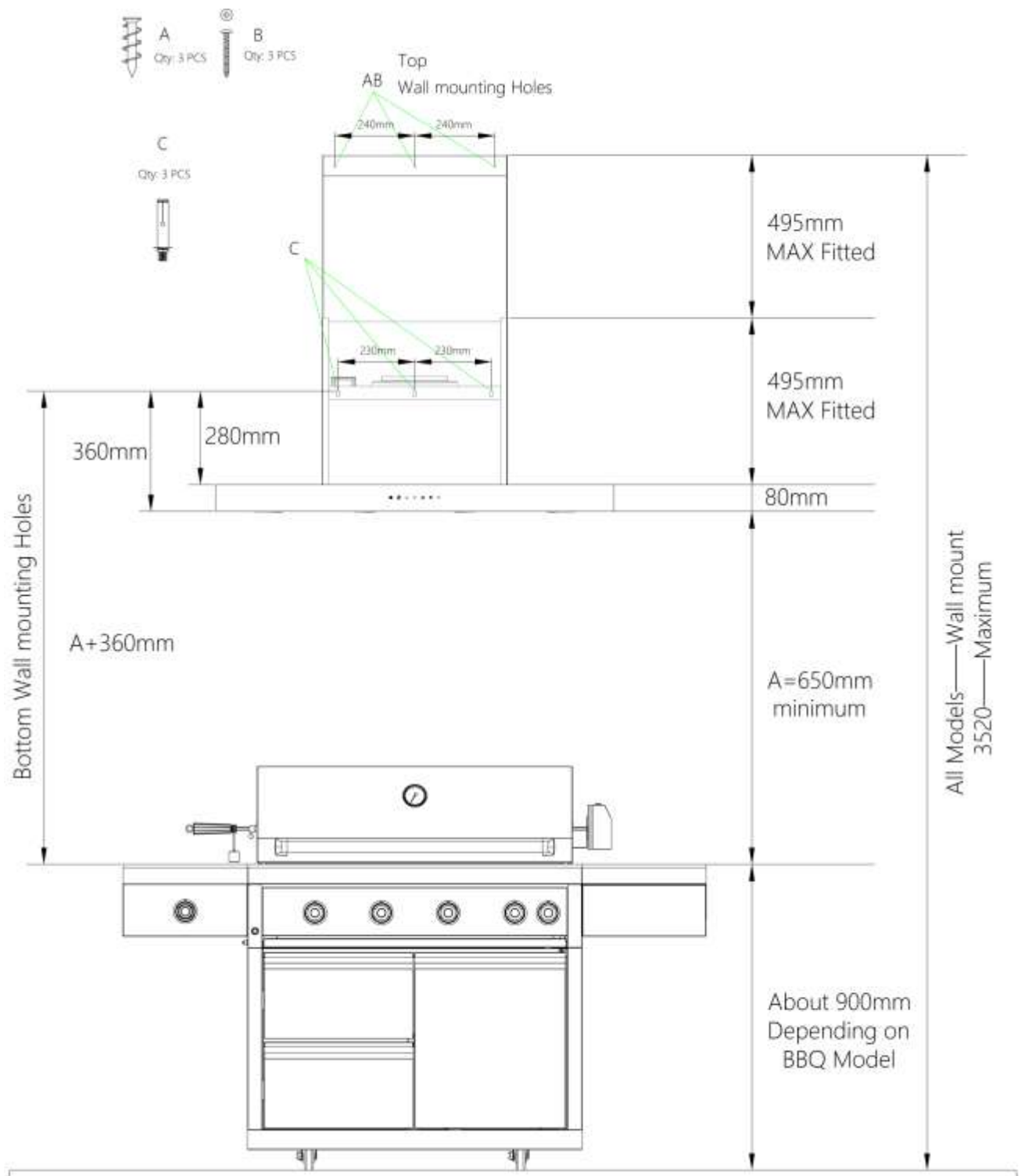
Warning:

- 1.Your rangehood is very heavy. Please use suitable fixings and hole size for this weight.

ACH12BBQ – 38Kg
ACH12BBQB – 38Kg

- 2.If unsure of which fixings please discuss with your hardware stockist or rangehood installer.
- 3.Using two people, lift rangehood into place and secure to the wall using selected hardware. Ensure rangehood is level.





DUCTING

- 1.Remove all tapes from the duct's butterfly flaps and ensure they move up and down freely.
- 2.Position the butterfly flaps up.
- 3.Position the ducting over the top of the collection box and butterfly flaps. Note: If unsure about the ducting please contact a rangehood installer.
- 4.If using a rangehood installer or roof plumber duct through ceiling and roof in accordance with the local, state and national regulations and laws.

POWER

Using a plumb bob or spirit level determine the vertical line the flue surrounds will take.

The position of the 240V AC wall socket is that it must be accessible to turn on/off without removing any covers.

Note: All electrical work must be carried out by a licensed electrician.

- 1.Uncoil power cord.
- 2.Plug into wall socket and turn on.
- 3.Test the fans and lights as per "Using Rangehood".
- 4.If all okay turn off wall socket and unplug power lead.

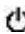
FLUE SURROUND

Provided are 2 x flue surrounds both 500mm high. These are used to finish and cover the motor box and installed ducting.

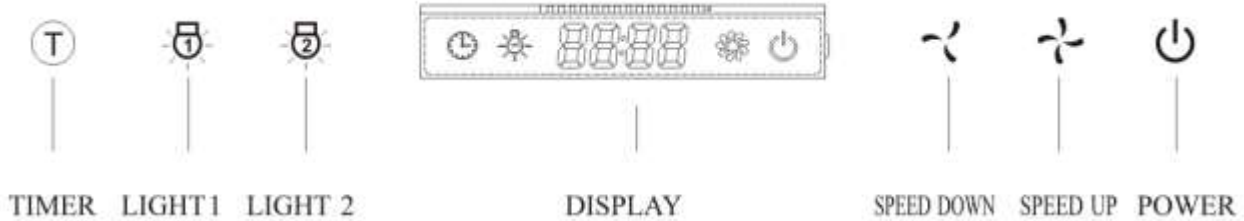
- 1.Lift and fit bottom flue surround, this fits into the groove in the Rangehood flat top.
- 2.Mark 1 hole on each side for the flue surround. Remove flue surround and drill holes.
- 3.Replace flue surround and secure each side at the top with suitable screws.
- 4.Mounting the second flue surround, this goes on the inside of the one previously installed.
- 5.Using a spirit level, plumb bob and tape measure position the flue bracket as high as possible. Once in correct position mark holes and drill.
- 6.Secure the flue bracket with suitable screws.
- 7.Slide the second flue cover inside the first. Make sure the power cord is clear of the flue surround. Now fasten to the flue bracket, make sure not to damage power cord.
- 8.Push 240V AC plug into power socket and turn on.

Note: Do not damage the power cord during the flue surround installation.

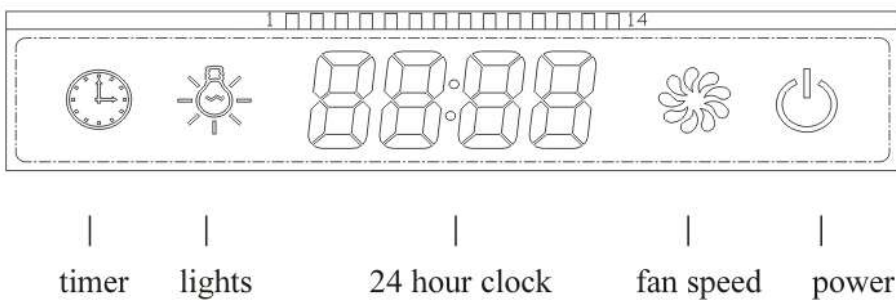
OPERATION

Press the  to turn on the rangehood. The display backlight will come on and the power icon will be displayed.

CONTROL PANEL FOR ACH12BBQ







DISPLAY PANEL





CLOCK

1. Each time the rangehood is reconnected to a power supply, the control panel will beep once. The clock will reset and show 12:00. The rangehood will be in standby mode without lights or motors operating. The control panel will not be backlit.

2. To set the time. In standby mode, press the  button. The hour indicator will flash. Adjust the hour by using the  or  buttons. Press the button once to change by one minute, or hold the button in for continuous adjustment. If the  button is not pressed for 10 seconds, the display will go back to standby mode.

FAN

3. The fan speed cycles between F1-F2-F3 with each press of the  button.


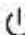
4. The fan speed cycles between F3-F2-F1 with each press of the  button.

5. The fan icon will appear in the display whenever the fan is running. The fan icon will rotate to indicate the fan speed.

LIGHTS

6. The  button turns the three back lights on and off. The  button turns the three front lights on and off.

TIMER BUTTON

7. To activate the 3 minute delayed shutdown. With the fans running, press the  button. the display will show 3.00 minutes, count down to zero, then switch off the fans. To cancel the delayed shut down, then press the  button.

CONTROL PANEL FOR ACH12BBQB



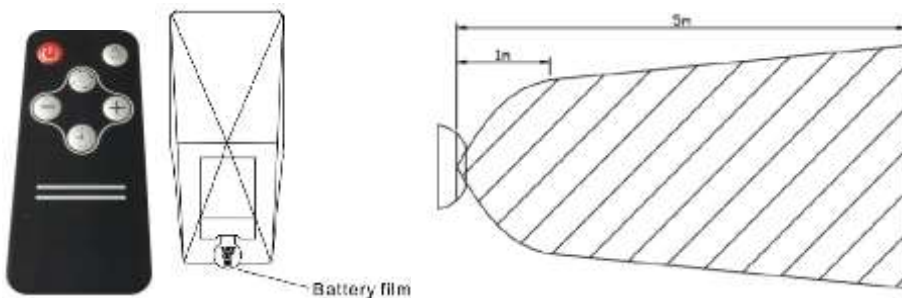
Button functions:

- Power: Power ON/OFF.
- Blower Speed Indicator: Shows current blower (motor) speed (1-3).
- Increase Value: Blower (motor) speed increase, Time setting increase.
- Decrease Value: Blower (motor) speed decrease, Time setting decrease.
- Light: Turns ON/OFF
- Power-Off Delay Digital Timer: Press the set/timer button for about 2 seconds to turn on the delay-off timer. The range hood is set for 3 minutes delay-off timer.

Remote controller:

Your cooker hood equipped with remote controller to allow you operate the unit remotely. Before use the remote control please remove the battery film!

Below shadow area is effective remote controlling area for better using the remote control.



CARE AND CLEANING

General

A build up of oil may occur if the Rangehood and baffle filters are not cleaned properly and regularly. Some discolouration of the baffle filter may occur if cleaned in the dishwasher.

Regular maintenance is required to ensure the cooker hood functions properly.

Clean the fan and other surfaces of the cooker hood regularly with a cloth dipped in denatured alcohol or a non-abrasive liquid cleaner. Suggest at least one time per month to clean.

There is a fire risk if cleaning is not carried out in accordance with the instructions.

RANGEHOOD SURFACES

Clean periodically with hot soapy water and a clean cotton cloth. Do not use abrasive detergent or steel wool/scouring pads which will scratch and damage the surfaces.

For heavier deposits, use a liquid degreaser.

After cleaning, you may use nonabrasive stainless steel polish/cleaners to polish and buff the stainless lustre. Always rub lightly, with a clean cotton cloth and with the grain of the stainless steel.

Note: Never wipe or rub across the grain as this will damage the surface finish.

BAFFLE FILTERS

The baffle filters fitted by the factory are intended to filter out residue and grease from cooking. They are required to be kept clean and should be cleaned after every 30 hours of use or more often if required or after heavy cooking.

Note: Always turn the Range hood power off at the point before removing filters.

To Remove

Lift latch and gently pull down front of baffle filter and remove.

To Clean

1. Use warm soapy water and a soft cloth or put into dishwasher on a 'normal' cycle.
2. Thoroughly clean and wipe down the inside of Range hood canopy.

To Fit

1. Position the rear of the baffle filter into the 2 slots.

Gently rotate the baffle filter into position, lift latch and push into place and release latch

NOTES:

If you clean the baffle filter in the dishwasher: load only the baffle filter and no other items as food particles from dishes can fasten in the filter.

-DO NOT let dirt build up on the hood

-DO NOT use steel wool or steel brushes to clean the hood

-DO NOT leave salt solutions, disinfectants, bleaches or cleaning compounds on the hood for any length of time as they may damage the stainless steel. Rinse after use with clean water and wipe dry with a clean cloth

Replacing the LED lights

The illumination is designed for use during cooking and not for prolonged general illumination of your outdoor kitchen. Prolonged use of the lights may reduce the life time of the LED lights.

WARNING: Do not touch or change lights while the hood is operating.

Use only the same LED lights as the original specification. Re-placement lights are available through the dealers.

1. Take off the filters from hood.
2. Take off the two screws and replace the LED lights.

3. Replace the screws and filters.

NB:

The light is only meant for use during cooking and not for illuminating the surroundings for longer periods. If the light is used for longer periods, this will considerably shorten the burn time of the lights.

Read all instructions before installing and operating this appliance.

IMPORTANT SAFETY NOTICE

Read all instructions in this manual before operating the appliance. Save these instructions for future reference. Always leave safety grills and filter in place. Without these components, operating blowers could catch on to hair, fingers and loose clothing.

NEVER dispose cigarette ashes, ignitable substances or any foreign objects in to the blowers.

NEVER leave cooking area unattended. When frying, oil in the pan can easily overheat and catch fire. The risk of self-combustion is higher when the oil has been used several times.

Note:

Dispose of this product responsibly. Irresponsible disposal can result in negative environmental impact or personal injury.'



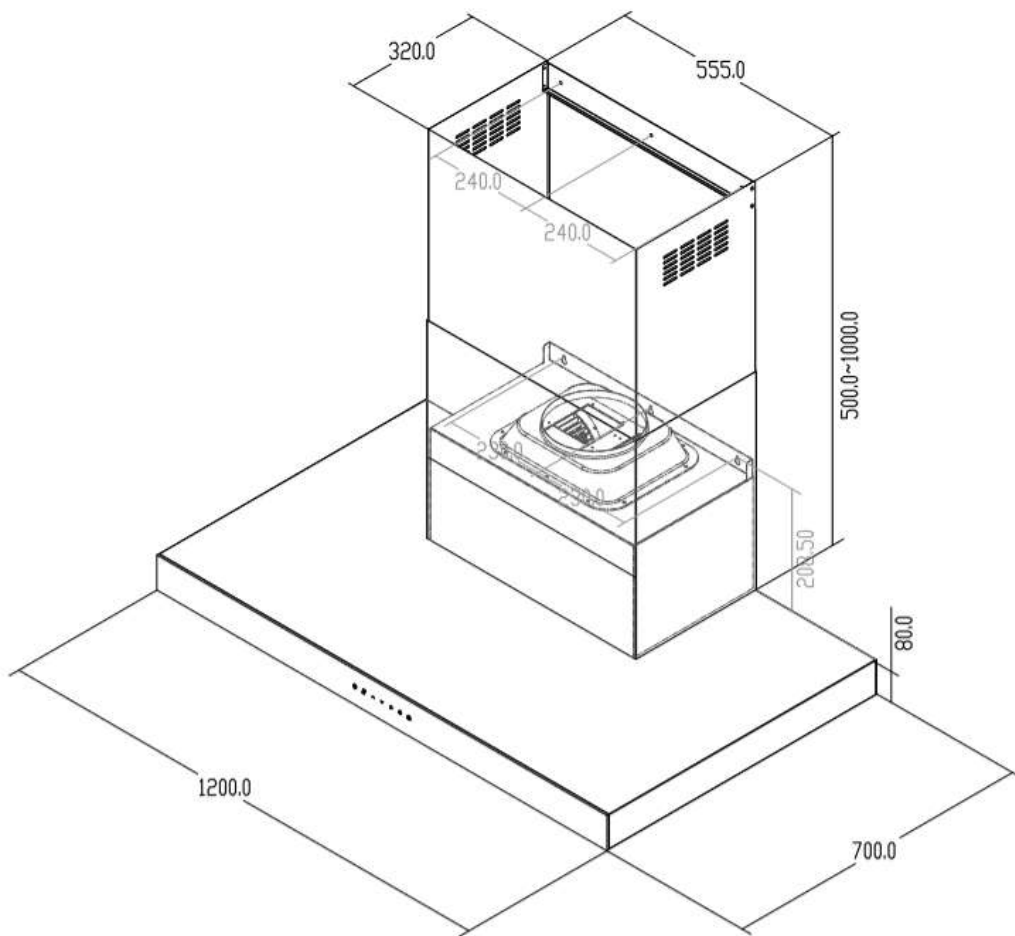
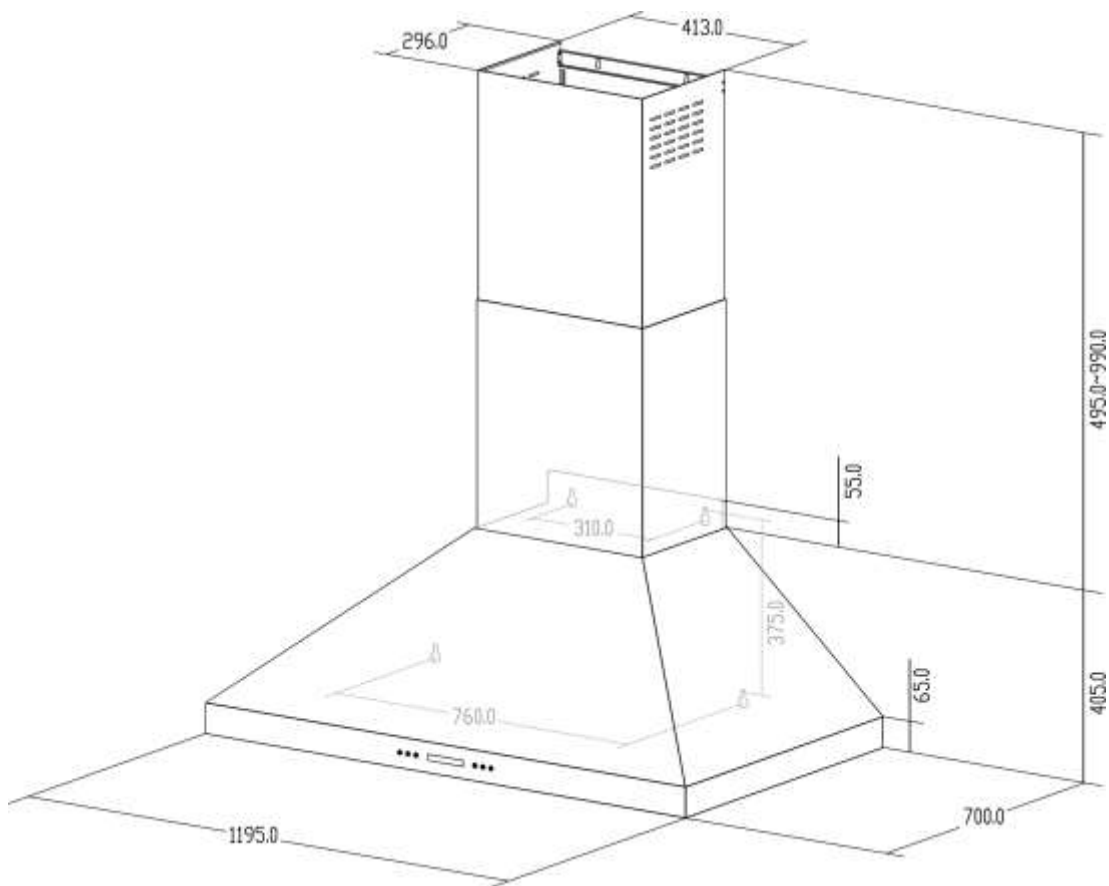
Under no circumstances may this extractor fan be disposed of as household waste. It must be taken to a recycling centre for electrical and electronic equipment.

This product must be disposed of in accordance with local legislation.

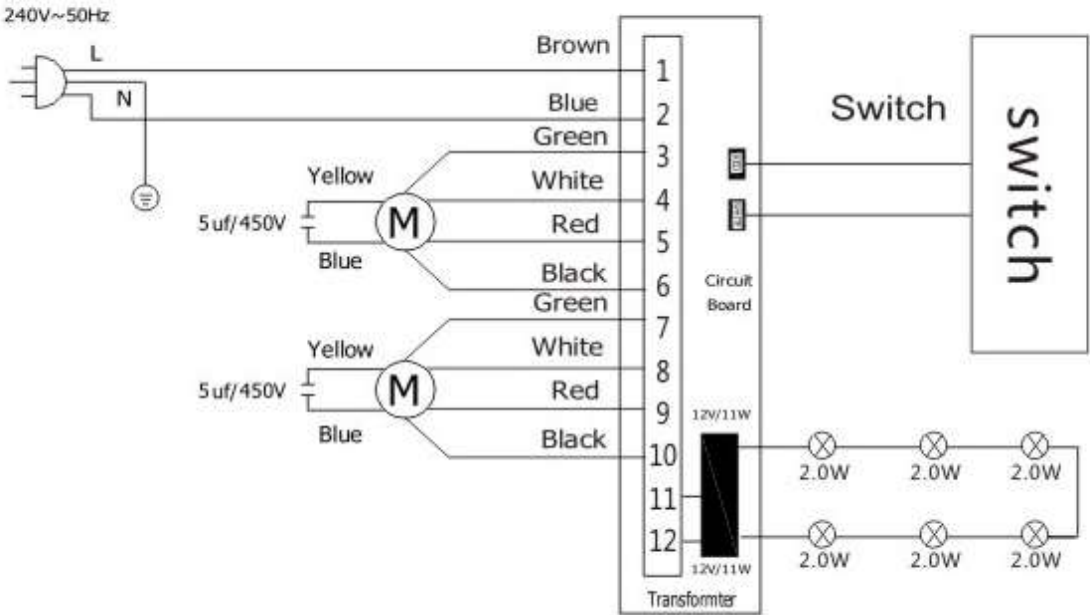
For more information on disposal, recycling and reuse of this product, contact your local authority, your household waste collection service or the store where you purchased the product



Hood Size & Wiring diagram:



Circuit Diagram:



Trouble Shooting Guide

Problem	Possible Reason	Solution
Hood doesn't turn on.	No electrical supply.	Check the plug is connected. Check the plug is connected.
	Power cord is damaged	Contact technician service
Poor Airflow	Baffle filters clogged	Clean the filters and replace when dry.
Hood is vibrating	Hood is not secured in place	Check the installation of hood.Tighten mounting screws.
Motor running but no air flow	Butterfly valve jammed.	Contact technician service
Motor stops after a few minutes	High temperature safety device activated.	The kitchen is not sufficiently ventilated.
	The hood is installed too near the cooking surface.	The hood must be at least 650mm from the stove
Strong cooking smell.	Fan speed too low	Use one of the higher settings.
Oil dripping onto BBQ.	Baffle filters saturated.	Wash the baffle filters
Whirring sound	Something in contact with fan blade.	Contact technician service
Lights are working but fan isn't		Contact technician service
Fan is working but lights are not		Contact technician service

GUARANTEE AND SERVICE!

Before book a service call, read the Trouble Shooting Guide above , for more information on guarantee and service conditions, please contact local dealer.



Worldwide Appliances Pty Limited
A.B.N. 45868077422

Office:

48-50 Moore Street, Leichhardt N.S.W 2040

Post:

Locked Bag 3000, Annandale, N.S.W 2038

P: 1300 694 583

WARRANTY REGISTRATION

Your ongoing satisfaction with your artusi product is important to us. We ask that you complete the enclosed Warranty Registration Card and return it to us so that we have a record of the artusi product purchased by you.

PRIVACY

Worldwide Appliances respects your privacy and is committed to handling your personal information in accordance with the National Privacy Principles and the Privacy Act 1988 (Cth). A copy of the Worldwide Appliances Privacy Policy is available at www.artusi.com.au. Worldwide Appliances will not disclose any personal information set out in the Warranty Registration Card ("Personal Information") without your consent unless required by:

1. law;
2. any Worldwide Appliances related company;
3. any service provider which provide services to artusi or assist artusi in providing services (including repair and warranty services) to customers. Our purpose in collecting the Personal Information is

to keep a record of the artusi product purchased by you, in order to provide a better warranty service to you in the unlikely event that there is a problem with your artusi product. Worldwide Appliances may contact you at any one or more of the address, email address or telephone numbers set out in the Warranty Registration Card. Please contact artusi on 1300 694 583 should you not wish to be contacted by Worldwide Appliances.

WARRANTY

1. Warranty

Worldwide Appliances warrants that each artusi product will remain, for a period of either 12 months or 24 months of warranty. All Warranties are valid from the original date of purchase, And warranty claims must be accompanied by the proof of purchase.

24 months warranty products:

All Built-in Appliances – Limited to Ovens, Gas, Induction and Electric Cooktops, and All Rangehoods

Freestanding Cookers - Gas and Electric Models (900mm Width)

Dishwashers - Freestanding, Fully Integrated, Semi Integrated and built-in

12 months warranty products:

Freestanding Cookers - Gas and Electric Models in 50cm, 54cm and 60cm Widths

Portable Appliances* – Benchtop Models and Portable Gas Models

2. What is not Covered by the Warranty.

The Warranty does not apply if an artusi product is defective by a factor other than a defect arising in the manufacture of the artusi product, including but not limited to:

- (a) damage through misuse (including failure to maintain, service or use with proper care), neglect, accident or ordinary wear and tear (including deterioration of parts and accessories and glass breakage);
 - (b) use for purpose for which the artusi product was not sold or designed;
 - (c) use or installation which is not in accordance with any specified instructions for use or installation;
 - (d) use or operation after a defect has occurred or been discovered;
 - (e) damage through freight, transportation or handling in transit (other than when Worldwide Appliances is responsible);
 - (f) damage through exposure to chemicals, dusts, residues, excessive voltage, heat, atmospheric conditions or other forces or environmental factors outside the control of Worldwide Appliances;
 - (g) repair, modification or tampering by the purchaser or any person other than Worldwide Appliances, an employee of Worldwide Appliances or an authorised artusi service contractor*;
 - (h) use of parts, components or accessories which have not been supplied or specifically approved by artusi.
 - (i) damage to surface coatings caused by cleaning or maintenance using products not recommended in the artusi product handbook provided to the purchaser upon purchase of the artusi product;
 - (j) damage to the base of an electric oven due to items having been placed on the base of the oven cavity or covering the base, such as aluminium foil (this impedes the transfer of heat from the element to the oven cavity and can result in irreparable damage); or
 - (k) damages, dents or other cosmetic imperfections not affecting the performance of the artusi in respect of an artusi product purchased as a "factory second" or from display
- The Warranty does not extend to light globes used in artusi products.

3. Domestic Use

Each artusi product is made for domestic use. This Warranty may not extend to artusi products used for commercial purposes.

Continued over...

4. Time for Claim under the Warranty

You must make any claim under this Warranty within twenty eight (28) days after the occurrence of an event which gives rise to a claim pursuant to the Warranty, by booking a service call on the telephone number below.

5. Proof of Purchase

Customers must retain proof of purchase in order to be eligible to make a warranty claim in respect of an artusi product.

6. Claiming under the Warranty

Customers will bear the cost of claiming under this Warranty unless Worldwide Appliances determines the expenses are reasonable, in which case the customer must claim those expenses by providing written evidence of each expense to Worldwide Appliances at the address on the Warranty Registration Card.

7. Statutory Rights

(a) These terms and conditions do not affect your statutory rights.

(b) The limitations on the Warranty set out in this document do not exclude or limit the application of the consumer guarantees set out in the Act or any other equivalent or corresponding legislation in the relevant jurisdiction where to do so would:

(i) contravene the law of the relevant jurisdiction; or

(ii) cause any part of the Warranty to be void.

(c) Worldwide Appliances excludes indirect or consequential loss of any kind (including, without limitation, loss of use of the artusi product) and (other than expressly provided for in these terms and conditions) subject to all terms, conditions and warranties implied by custom, the general law, the Act or other statute.

(d) The liability of Worldwide Appliances to you

for a breach of any express or non-excludable implied term, condition or warranty is limited at the option of Worldwide Appliances to:

(i) replacing or repairing the defective part of the artusi product;

(ii) paying the cost of replacing or repairing the defective part of the artusi product;

(iii) replacing the artusi product; or

(iv) paying the cost of replacing the artusi product.

(e) Our goods come with guarantees that cannot be excluded under the Australian Consumer Law. You are entitled to a replacement or refund for a major failure and for compensation for any other reasonably foreseeable loss or damage. You are also entitled to have the goods repaired or replaced if the goods fail to be of acceptable quality and the failure does not amount to a major failure.

8. Defects

Any part of an artusi product deemed to be defective and replaced by Worldwide Appliances is the property of Worldwide Appliances. Worldwide Appliances reserves the right to inspect and test artusi products in order to determine the extent of any defect and the validity of a claim under the Warranty.

*To locate your closest artusi authorised service agent please contact us on 1300 652 100 or visit www.artusi.com.au

ALL SERVICE CALLS MUST BE BOOKED THROUGH AN AUTHORISED DEALER OR WARRANTY DEPARTMENT ON 1300 652 100 OR stokesaps.com.au/artusi-service

01032014



Warranty Card tear off

WARRANTY REGISTRATION CARD
01052013

Please complete and send to ARTUSI at: REPLY PAID 83617
LEICHHARDT NSW 2040

Last Name:		First Name:	
Address:			
State:	Postcode:	Email:	
Home Phone:		Mobile:	
Purchase Date: / /		(Please attach proof of purchase to validate warranty)	

MODEL NUMBER	SERIAL NUMBER (if you cannot locate the serial number please call ARTUSI on 1300 694 583)
1	
2	
3	
4	

01032014



DISCLAIMER

Worldwide Appliances PTY LTD, trading as ARTUSI, is continually seeking ways to improve the design specifications, aesthetics and production techniques of its products. As a result alterations to our products and designs take place continually. Whilst every effort is made to produce information and literature that is up to date, this brochure should not be regarded as an infallible guide to the current specifications, nor does it constitute an offer for the sale of any particular product. Product dimensions indicated in our literature is indicative only. Actual product only should be used to define dimension cutouts. Distributors, and retailers are not agents of ARTUSI and are not authorised to bind ARTUSI by any express or implied undertaking or representation.

ARTUSI OFFICES ARE OPEN DAILY FROM 9AM-5PM AND SATURDAYS 10AM-4PM

NSW & ACT (HEAD OFFICE)
48-50 MOORE STREET
LEICHHARDT
F 02 8569 4699

VIC, TAS & SA
1211 TOORAK ROAD
CAMBERWELL
F 03 9809 2155

QLD
1/42 CAVENDISH ROAD
COORPAROO
F 07 3397 0850

WA & NT
UNIT 10/55 HOWE STREET
OSBORNE PARK
F 08 9201 9188

NZ
PO BOX 11160
SOCKBURN CHRISTCHURCH
F 03 344 5906

P: 1300 649 583

ARTUSI.COM.AU