

# 90CM INDUCTION COOKTOP WITH INTEGRATED DOWNDRAFT HOOD

MODEL AID864DD

**ARTUSI**  
THE ART OF LIVING

COMING SOON



MADE IN ITALY



24 MONTH WARRANTY



90CM



4 ZONES



9 HEAT LEVELS



BOOST FUNCTION



AUTO PAN DETECTION



TOUCH CONTROL



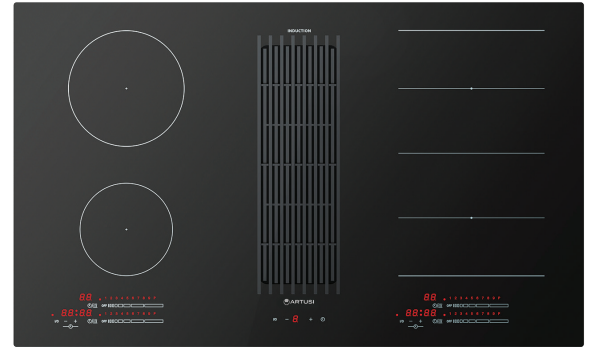
BELL TIMER



LOW NOISE



WATCH THE TEASER HERE



## PRODUCT INFORMATION

### FINISH

- Black ceramic glass

### FEATURES

- Touch & slide control operation
- 9 power levels
- Pause & Recall mode
- Keep warm option
- Automatic pot detection
- Fast automatic heating will reach cooking temperature quicker
- Minute minder: facilitates a timer to alert cooking time and over cooking
- Fixed central grill for ventilation and extraction of cooking fumes
- Easy removable catchment tray
- Creative motor design allows for multiple installation types without the compromise of kitchen space

### SAFETY

- Child safety lock
- Overheat safety switch off & Operating time limiter
- Automatic pan detection
- Residual heat indicator (H)

### CLEANING

- Easy clean surface

### ZONES

- 4 cooking zones
- Boost mode
- Zone bridging option (right side only)
- 2 x rectangle zones can be converted into one large rectangle zone  
2 x 1500-2000W
- 2 x circular zones  
1 x 1200-1600W  
1 x 1500-2000W
- Max. Power: 7200W

### HOOD ASPIRATION SYSTEM

- Maximum airflow (IEC 61591) 620 m3/h
- Pressure (Pa):549
- Motor Power (W): 275
- Noise level at maximum speed db(A):67
- Touch controls
- 3 speed + boost
- Delayed switch off timer
- Filter replacement alarm
- Filter cleaning reminder
- Optional Plasma filter model is available from Artusi
- Charcoal Filter kit is available from Artusi. Code: E005KMP010301

### POWER CONSUMPTION

- Power requirement: Hard Wired
- Total electrical load: 7.2kW

### DISCLAIMER

Eurolinx PTY LTD, is continually seeking ways to improve the design specifications, aesthetics and production techniques of its products. As a result alterations to our products and designs take place continually. Whilst every effort is made to produce information and literature that is up to date, this brochure should not be regarded as an infallible guide to the current specifications, nor does it constitute an offer for the sale of any particular product. Product dimensions indicated in our literature is indicative only. Actual product only should be used to define dimension cut outs. Distributors, and retailers are not agents of Eurolinx and are not authorized to bind Eurolinx by any express or implied undertaking or representation.

EAN 9347777004284

AR13052022

FOLLOW US ON: [instagram.com/artusi\\_appliances](https://www.instagram.com/artusi_appliances)

[www.linkedin.com/company/eurolinx-pty-ltd-t-a-llve/](https://www.linkedin.com/company/eurolinx-pty-ltd-t-a-llve/)

Australia National Telephone Number 1300 (694 583) New Zealand Telephone Number 64 3 344 5913  
Artusi showroom hours: Tuesday to Friday - 9am-5pm, Saturday - 10am-4pm, Sunday and Monday - closed  
\* Melbourne showroom hours: Tuesday to Saturday - 10am-4pm

[artusi.com.au](https://www.artusi.com.au)

NSW & ACT (Head Office)  
48-50 Moore Street  
Leichhardt  
F 02 8569 4699

QLD  
1/42 Cavendish Road  
Coorparoo  
F 07 3397 0850

WA & NT  
Unit 10/55 Howe Street  
Osborne Park  
F 08 9201 9188

New Zealand  
PO Box 11,160  
Sockburn Christchurch  
F 03 344 5906

# 90CM INDUCTION COOKTOP WITH INTEGRATED DOWNDRAFT HOOD

MODEL AID864DD

 **ARTUSI**  
THE ART OF LIVING

COMING SOON



## EASY CLEANING

The grease filter and the steel drip pan designed to catch grease and liquids can be lifted out even with the flap in place. The glass flap can also be removed completely to make it easier to clean inside.

## SAFETY

All liquids, including condensation, are collected in an internal tray complete with drain valve. An electronic sensor warns when the tray is full and, for safety reasons, stops motor operation until it has been emptied.

## THOUGHTFUL MOTOR LOCATION

The motor is located in the plinth, away from the user, making it quieter and easier for the induction top to be serviced without having to remove the hob from the bench top.

## ADAPTABILITY AND DESIGN FREEDOM

The product can be installed in any base unit measuring at least 90cm wide and 60cm deep. It is telescopic in both height and depth and, for deeper base units, the motor can easily be rotated and located at the back.

## PAUSE FUNCTION AND RECALL

By touching a key both the heating and the timer are locked, by touching the same key the initial conditions are restored

## POTS DETECTOR

If there are no pots on the cooking zone, when the appliance is switched on heat will not be activated. If, in 10 minutes time, you place the pan on the cooking zone, the zone will detect it and switches on to the set level. When you remove the pan from the cooking area, the power supply stops. If you place a pot with a smaller diameter on the cooking zone, the zone will use only the energy needed to heat it.

## DISCLAIMER

Eurolinx PTY LTD, is continually seeking ways to improve the design specifications, aesthetics and production techniques of its products. As a result alterations to our products and designs take place continually. Whilst every effort is made to produce information and literature that is up to date, this brochure should not be regarded as an infallible guide to the current specifications, nor does it constitute an offer for the sale of any particular product. Product dimensions indicated in our literature is indicative only. Actual product only should be used to define dimension cut outs. Distributors, and retailers are not agents of Eurolinx and are not authorized to bind Eurolinx by any express or implied undertaking or representation.

**FOLLOW US ON:**  [instagram.com/artusi\\_appliances](https://www.instagram.com/artusi_appliances)

 [www.linkedin.com/company/eurolinx-pty-ltd-t-a-lve/](https://www.linkedin.com/company/eurolinx-pty-ltd-t-a-lve/)

Australia National Telephone Number 1300 (694 583) New Zealand Telephone Number 64 3 344 5913  
Artusi showroom hours: Tuesday to Friday - 9am-5pm, Saturday - 10am-4pm, Sunday and Monday - closed  
\* Melbourne showroom hours: Tuesday to Saturday - 10am-4pm

[artusi.com.au](https://www.artusi.com.au)

**NSW & ACT (Head Office)**  
48-50 Moore Street  
Leichhardt  
F 02 8569 4699

**QLD**  
1/42 Cavendish Road  
Coorparoo  
F 07 3397 0850

**WA & NT**  
Unit 10/55 Howe Street  
Osborne Park  
F 08 9201 9188

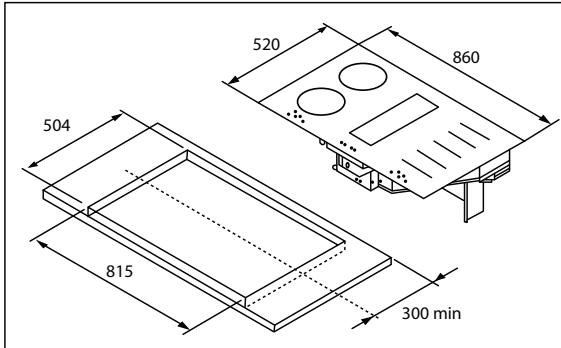
**New Zealand**  
PO Box 11.160  
Sockburn Christchurch  
F 03 344 5906

# 90CM INDUCTION COOKTOP WITH INTEGRATED DOWNDRAFT HOOD

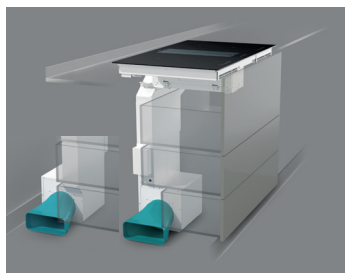
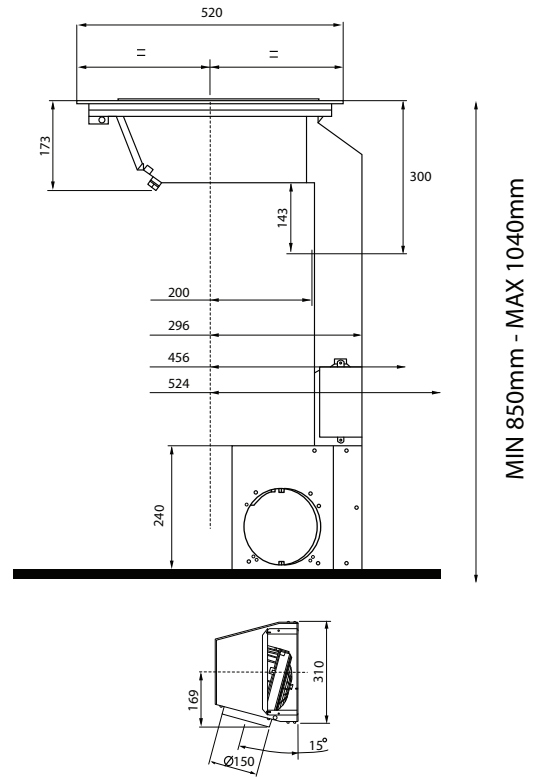
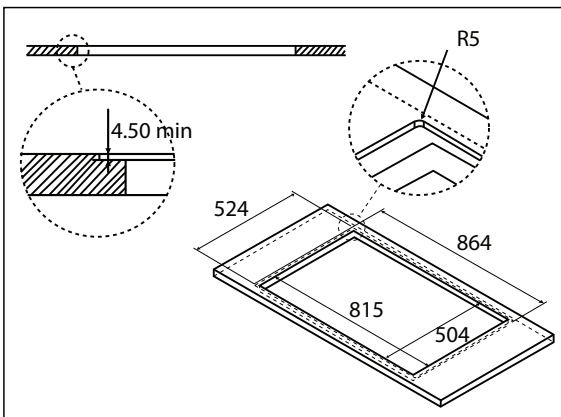
**MODEL AID864DD**



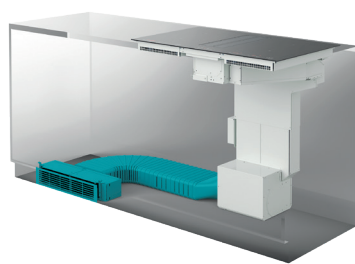
## NON-FLUSH INSTALLATION



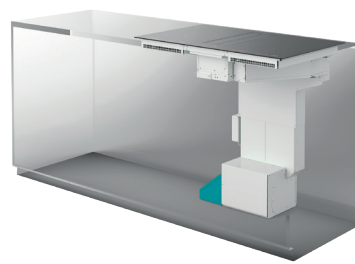
## FLUSH INSTALLATION



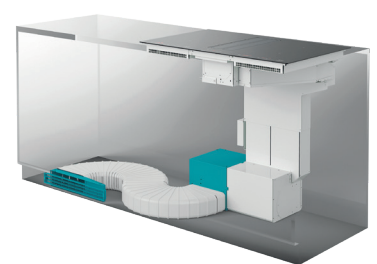
Pictured: with front & rear location motor



Pictured: ducted version



Pictured: in-recirculated mode



Pictured: ducted with plasma filter

**EAN 9347777004284**

AR13052022

### DISCLAIMER

Eurolinx PTY LTD, is continually seeking ways to improve the design specifications, aesthetics and production techniques of its products. As a result alterations to our products and designs take place continually. Whilst every effort is made to produce information and literature that is up to date, this brochure should not be regarded as an infallible guide to the current specifications, nor does it constitute an offer for the sale of any particular product. Product dimensions indicated in our literature is indicative only. Actual product only should be used to define dimension cut outs. Distributors, and retailers are not agents of Eurolinx and are not authorized to bind Eurolinx by any express or implied undertaking or representation.

**FOLLOW US ON:** [instagram.com/artusi\\_appliances](https://www.instagram.com/artusi_appliances)

[www.linkedin.com/company/eurolinx-pty-ltd-t-a-llve/](https://www.linkedin.com/company/eurolinx-pty-ltd-t-a-llve/)

**Australia National Telephone Number 1300 (694 583) New Zealand Telephone Number 64 3 344 5913**  
**Artusi showroom hours:** Tuesday to Friday - 9am-5pm, Saturday - 10am-4pm, Sunday and Monday - closed  
**\* Melbourne showroom hours:** Tuesday to Saturday - 10am-4pm

[artusi.com.au](https://www.artusi.com.au)

**NSW & ACT (Head Office)**  
 48-50 Moore Street  
 Leichhardt  
 F 02 8569 4699

**QLD**  
 1/42 Cavendish Road  
 Coorparoo  
 F 07 3397 0850

**WA & NT**  
 Unit 10/55 Howe Street  
 Osborne Park  
 F 08 9201 9188

**New Zealand**  
 PO Box 11.160  
 Sockburn Christchurch  
 F 03 344 5906