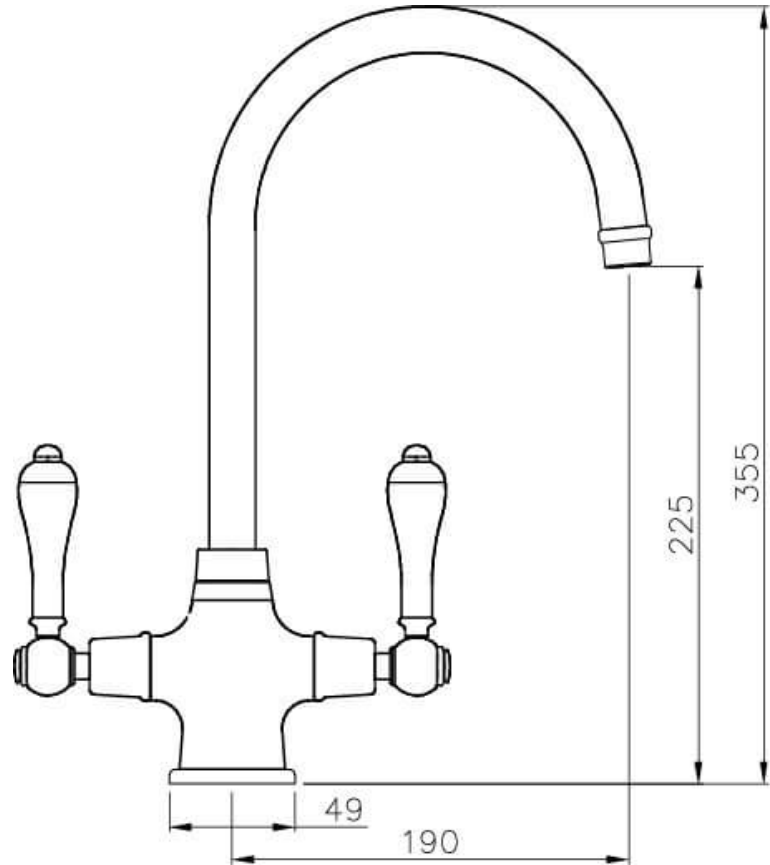


## Ludlow Double Mixer Tap - Chrome



### Specifications

- Material: Brass
- Finish: Chrome
- WELS Rating: 5 Star (5.5L/min) (R:T41450)
- Quarter turn ceramic disk valves
- Watermark approved to Australian Standards
- Swivel Spout

### Product Options

LU101DM-CH: Ludlow Double Mixer Tap with White Lever Handle - Chrome

LU117DM-S-CH: Ludlow Double Mixer Tap with Metal Lever Handle - Chrome

### Warranty

For peace of mind, Turner Hastings offers the following warranty on this product and its components:

Body, handle and chrome finish - 15 years

Spindles - 5 years

Brushed Brass and Brushed Nickel finish - 5 years

For more details, click here to refer to our warranty page.