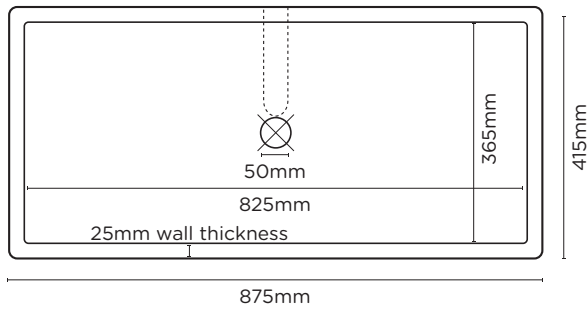




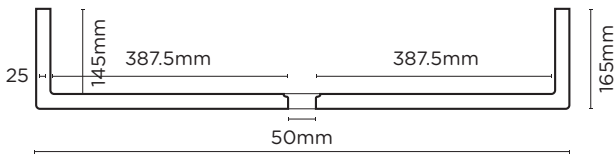
Trough Basin

The high strength concrete sink is sculptural and silky smooth. Like many in the Nood Collection, this piece is nostalgic in its reference and contemporary in presentation.

PLAN VIEW



SECTION VIEW



AVAILABLE COLOURS



SPECIFICATIONS

MATERIAL	UHP Concrete
FINISH	Matte / Low Sheen
WEIGHT	29.5kg (65lbs)
DIMENSIONS	L875mm x W415mm x H165mm (L34.44in x W16.33in x H6.49in)
BOWL CAPACITY	42L (11gal)
TAP HOLE	N/A
OVERFLOW AVAILABLE	N/A
WASTE RQD	32mm or 40mm Standard (not provided by Nood)
WARRANTY	24 months
WASTE HOLE SIZE	50mm
WALL THICKNESS	25mm
OPTIONS	Surface Mount
WALL HANG RQD	N/A

All dimensions are estimate. We suggest waiting until receiving Nood basins before cutting holes in cabinetry items. Colours of concrete may vary slightly.

SUGGESTED TAP / FAUCET POSITION & LENGTH

INSTALL HEIGHT

SURFACE MOUNTED BASIN

